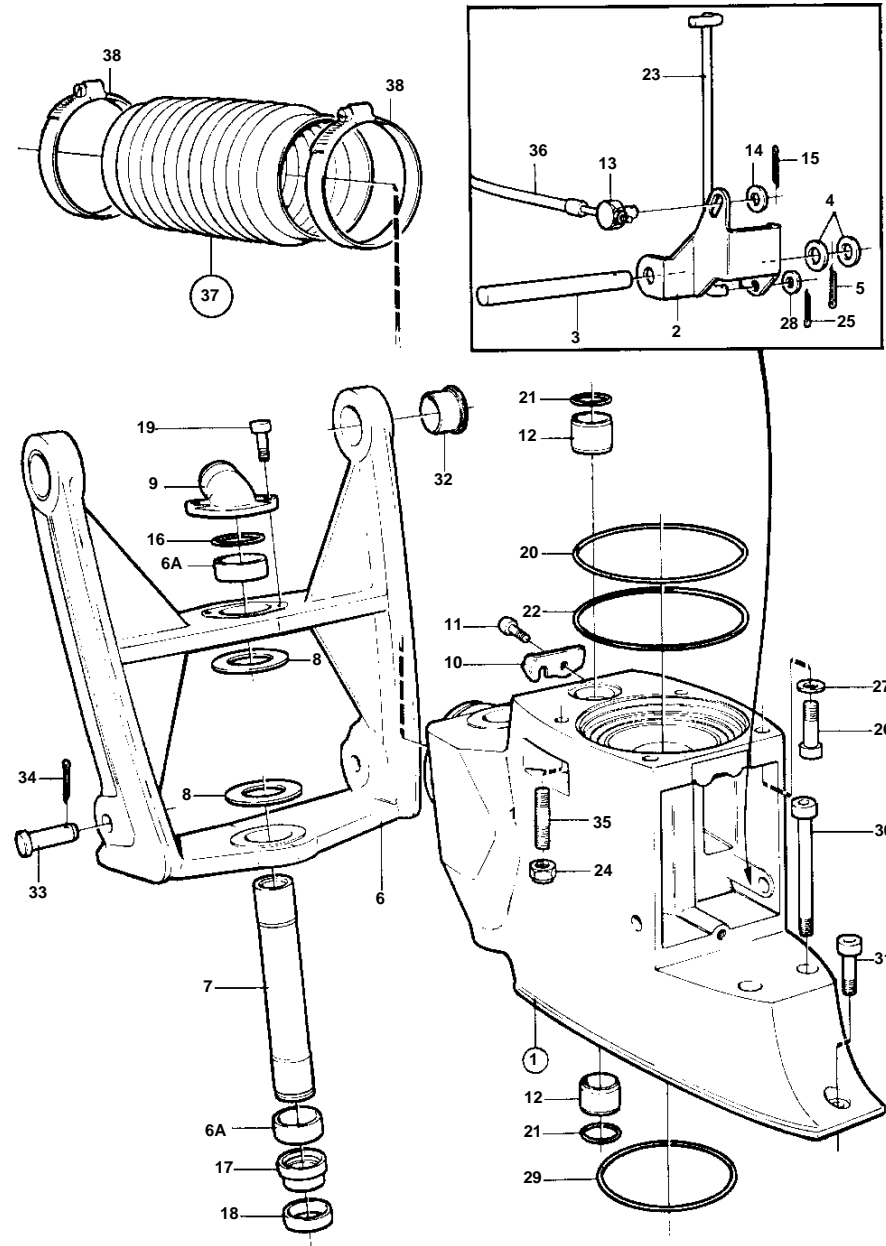


DP-E, SP-E



20801

DP-E, SP-E

REF	PART NO.	QTY	DESCRIPTION	SEE SEC.	NOTES
1	3857057	1	Intermediate housing		
2	872977	1	· Gear yoke		
3	897447	1	· Shaft		
4	897511	2	· Washer		
5	17253	1	· Cotter pin		
6	3857140	1	Suspension fork		
6A	872756	2	· Bearing bushing		
7	872753	1	Steering knuckle		
8	3860808	1	Shim kit		
9	872752	1	Hose connection		
10	872940	1	Cable attachment		
11	940168	1	Screw		
12	872986	2	Sleeve		
13	3852329	1	Cube		
14	940191	1	Washer		
15	17276	1	Cotter pin		
16	979254	1	O-ring		
17	873534	1	Retainer		
18	872755	1	Seal		
19	940169	2	Screw		
20	925259	1	O-ring		
21	125017	2	O-ring		
22	941826	X	Shim		TH=0.05mm
	941827	X	Shim		TH=0.20mm
	948230	X	Shim		TH=0.35mm
23	872822	1	Control rod		
24	941885	2	Nut		
25	17253	1	Cotter pin		
26	959456	2	Allen head screw		
27	853095	2	Washer		
28	940191	2	Washer		
29	925256	1	O-ring		
30	941808	2	Screw		
31	941809	1	Screw		
32	876507	1	Bushing kit		
		2	· Bushing		
33	872126	2	Clevis pin		
34	967707	2	Cotter pin		
35	977241	2	Stud		Included in upper gear unit.
36		1	Cable		
37	876631	1	Bellows kit, exhaust	7306	
38	872531	2	· Hose clamp		

7744470 - 44 - 7332

20601

Upd: 02 FEB 2006

DP-E, SP-E