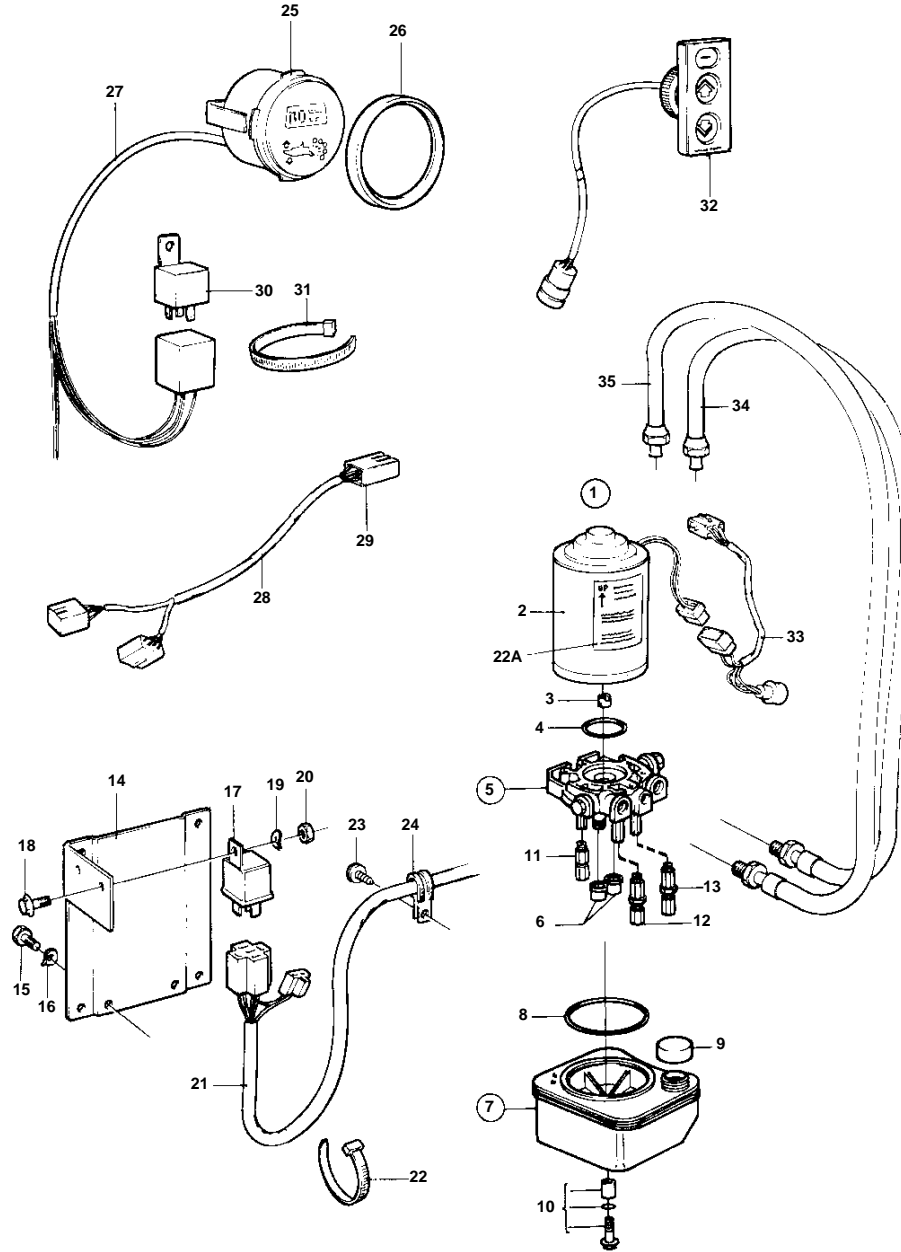


DP-E, SP-E



DP-E, SP-E

REF	PART NO.	QTY	DESCRIPTION	SEE SEC.	NOTES
1		1	Pumptrim	7314	REPL BY 3586765
2	854525	1	• Electrical motor		
3	3858072	1	• Connector		
4	3858073	1	• O-ring		
5	854528	1	• Valve housing	NS	
6	3858076	2	• • Filter		
7	854531	1	• Reservoir		
8	3858078	1	• Seal		
9	3858079	1	• Cap		
8	3861570	1	• Reservoir		
10	854534	1	• Small parts kit		
11	854535	1	• Relief unit		
12	873057	1	• High pressure unit		
13	854537	1	• Low pressure unit		
14	854438	1	Bracket		
15	970945	2	Screw		
16	941908	2	Spring washer		
17	854357	2	Relay		
18	948663	2	Screw		
19	941905	2	Spring washer		
20	955780	2	Nut		
21	872448	X	Cable kit		
22	948211	1	Strip clamp		
22A	853097	1	Sign		
23	968476	4	Flange screw		
24	952630	4	Clamp		
25	872498	1	Trim gauge		
26	858643	1	Front ring		
27	856821	1	Cable kit		
28	853066	1	Cable trunk		DUAL STATION
29		X	• Cable harness		SE GROUP 30
30	872300	2	Relay		12V 30A. Replaced by relay 1324492 and mounting instruction.
	1324492	2	Relay		WITH BUILT IN DIOD. NB! Changed polarity. See mounting instruction.
31	949666	X	Strip clamp		
32	3855650	1	Control panel		(873617), (853846)
33	853032	1	Cable trunk		
	948294	X	• Receptacle housing		9-POLE
	965822	X	• Cable terminal		3,5x1x2,5
	853498	X	• Receptacle housing		3-POLE
	853521	X	• Cable terminal		FOR 853498
34	873228	1	Hydraulic hose	7305	
35	873229	1	Hydraulic hose	7305	