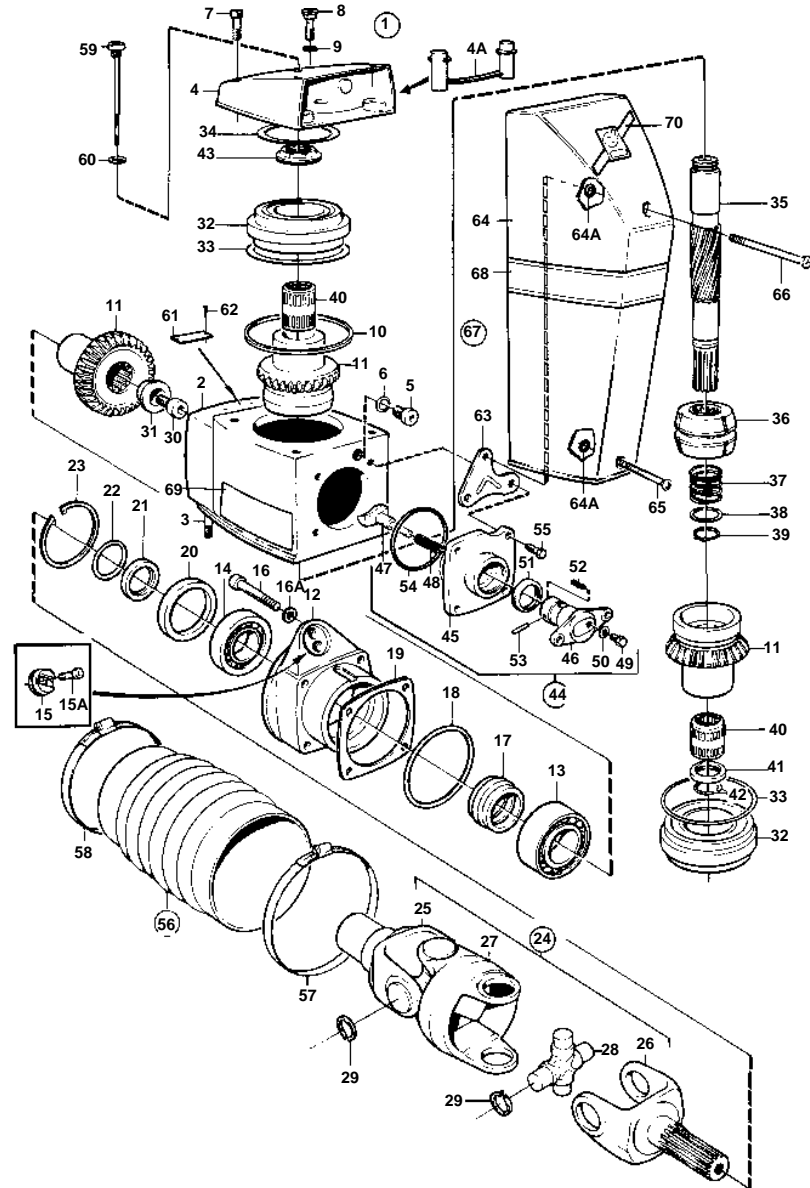


SP-E



20599

SP-E

REF	PART NO.	QTY	DESCRIPTION	SEE SEC.	NOTES
1	3857143	1	Upper gear unit		
	3803410	1	Upper gear, exchange		Exchange unit
2	3856812	1	• Gear housing		
3	984067	2	• Stud		
4	3857149	1	• Cover		
4A	854198	1	• Plastic plug		
5	981965	1	• Plug		
6	897682	1	• Gasket		
7	941807	3	• Screw		
8	814643	1	• Hollow screw		
9	955989	1	• O-ring		
10	832669	1	• Gasket		
11	873313	1	• Gear set		
12	3857144	1	• Bearing housing		
13	3850852	1	• Bearing		
14	183247	1	• Bearing		
15	852705	1	• Pivot pin		
15A	941807	2	• Screw		
16	956591	4	• Screw		
16A	942598	4	• Washer		
17	853484	1	• Pretensioning sleeve		
18	925095	1	• O-ring		
19	853034	X	• Shim		TH=0.10mm
	853035	X	• Shim		TH=0.15mm
	853036	X	• Shim		TH=0.35mm
20	839253	1	• Sealing ring		
21	832675	1	• Washer		
22	956000	1	• O-ring		
23	914538	1	• Lock ring		
24	3860230	1	• Universal joint		
			• Bulletin P-44-1-5	P-44-1-5-EN	U-joints
25		1	• • Yoke		
26		1	• • Yoke		
27		1	• • Intermediate section		
28	3860232	2	• • Spider		
29		8	• • Clip		
30	3860364	1	• • Screw		
31	853026	1	• Washer		
32	3857176	2	• Bearing kit		
33	943869	X	• Shim		TH=0.05mm
	946179	X	• Shim		TH=0.10mm
	943870	X	• Shim		TH=0.20mm
34	941826	X	• Shim		TH=0.05mm
	941827	X	• Shim		TH=0.20mm
	948230	X	• Shim		TH=0.35mm
35	3852292	1	• Shaft		

SP-E

REF	PART NO.	QTY	DESCRIPTION	SEE SEC.	NOTES
36	3855783	1	· Sliding sleeve		
37	3852296	1	· Spring		
38	3852298	1	· Washer		
39	951078	1	· Snap ring		
40	3852390	2	· Needle bearing		
41	3852294	1	· Ring		
42	3852295	2	· Lock clip		
43	3852301	X	· Nut		0.0mm
	3852302	X	· Nut		0.2mm
	3852303	X	· Nut		0.4mm
	3852375	X	· Nut		0.6mm
44	3855787	1	· Shift mechanism		
45	3855785	1	· · Bearing housing		
46	3856008	1	· · Eccentric piston		
47	3856502	1	· · Shoe		
48	814184	1	· · Spring		
49	897711	1	· · Screw		
50	897871	X	· · Shim		
51	853868	1	· · Sealing ring		
52	973593	1	· · Pin		
53	942871	1	· · Pin		
54	925093	1	· · O-ring		
55	940169	4	· Screw		
56	876294	1	· Bellows kit		
57	853013	1	· · Hose clamp		
58	853012	1	· · Hose clamp		
59	839351	1	· Oil dipstick		
60	955974	1	· O-ring		
61	853706	1	· Type plate		
62	804269	2	· Rivet		
63	854713	1	· Mantle attachment		
64	3857148	1	Cover		
64A	925052	2	Rubber ring		
65	854661	1	Screw		
66	872027	1	Screw		
67	876635	1	Decal set		
68	872995	1	· Decal		
69	872868	1	· Decal		PORT
	872867	1	· Decal		STARBOARD
70	854144	1	Decal		