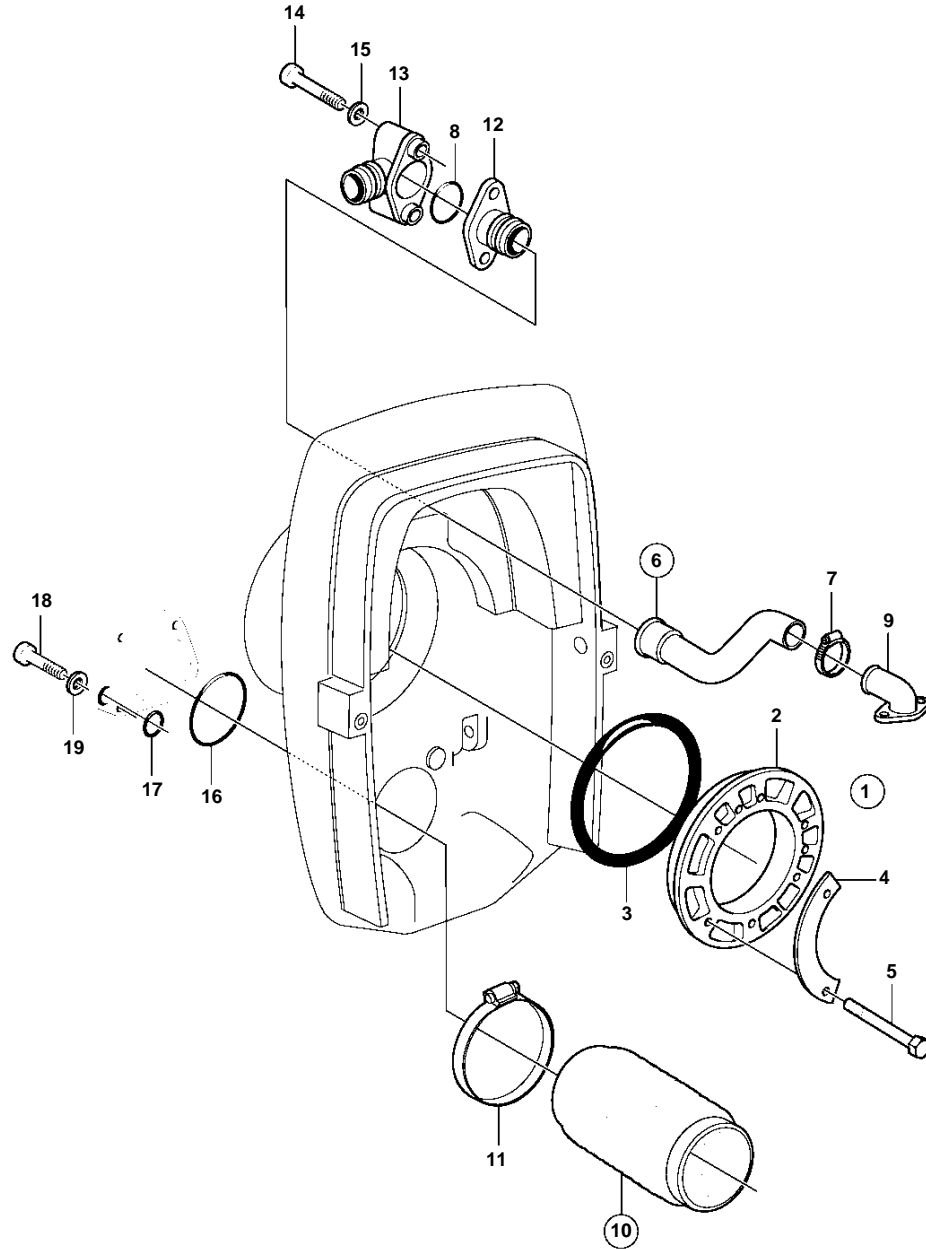


DP-E, SP-E



DP-E, SP-E

REF	PART NO.	QTY	DESCRIPTION	NOTES
1		1	Clamping ring kit	See catalog for engine.
2		1	· Clamping ring	See catalog for engine.
3		2	· Ring	See catalog for engine.
4	806624	3	· Striker plate	
5	191844	6	· Screw	
6	876632	1	Hose kit	
7	853548	1	· Hose clamp	
8	925064	1	· O-ring	
9	872752	1	Hose connection	
10	876631	1	Bellows kit	
11	872531	2	· Hose clamp	
12	872334	1	Nipple	
13	872338	1	Hose nipple	
14	955516	2	Screw	
15	955893	2	Washer	
16	925256	1	O-ring	
17	925064	2	O-ring	
18	947790	4	Flange screw	
19	976945	4	Washer	