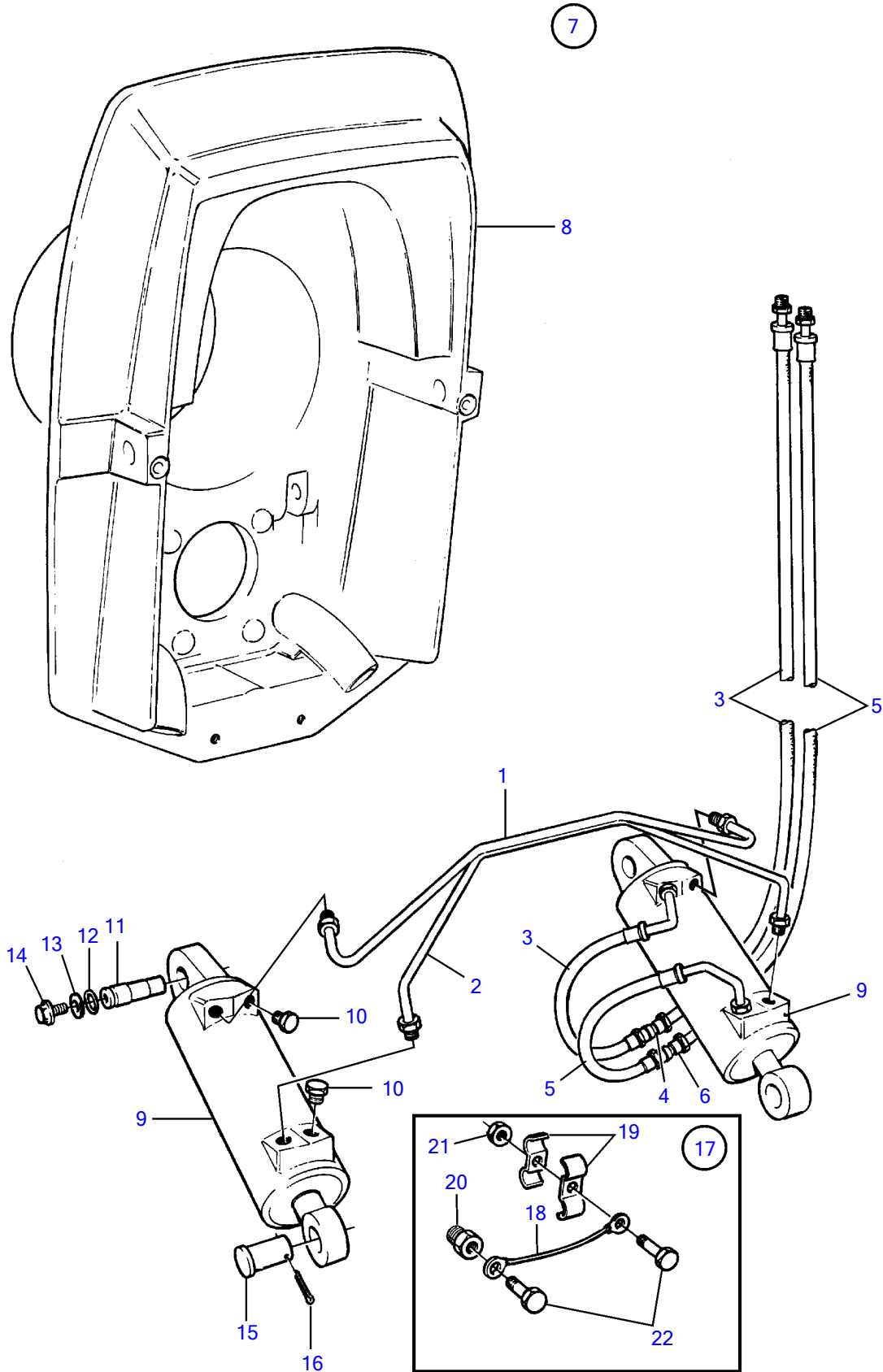


DP-S



DP-S

REF	PART NO.	QTY	DESCRIPTION	NOTES
1	854696	1	Tube	
2	854697	1	Tube	
3	873228	1	Hydraulic hose	
4	960214	1	• O-ring	
5	873229	1	Hydraulic hose	
6	960214	1	• O-ring	
7	876630	1	Shield	
8		1	• Shield	
9	872837	2	Hydraulic cylinder	
10	852879	2	• Plug	
11	872382	2	Spindle	
12	925053	2	O-ring	
13	853059	2	Washer	
14	853060	2	Flange screw	
15	872126	2	Clevis pin	
16	967707	2	Split pin	
17	854625	1	Set, assy.	
18		1	• Ground cable	Not sold separately
19	854628	2	• Clamp	
20	872207	1	• Nipple	
21	944456	1	• Hexagon nut	
22	963545	2	• Hexagon screw	