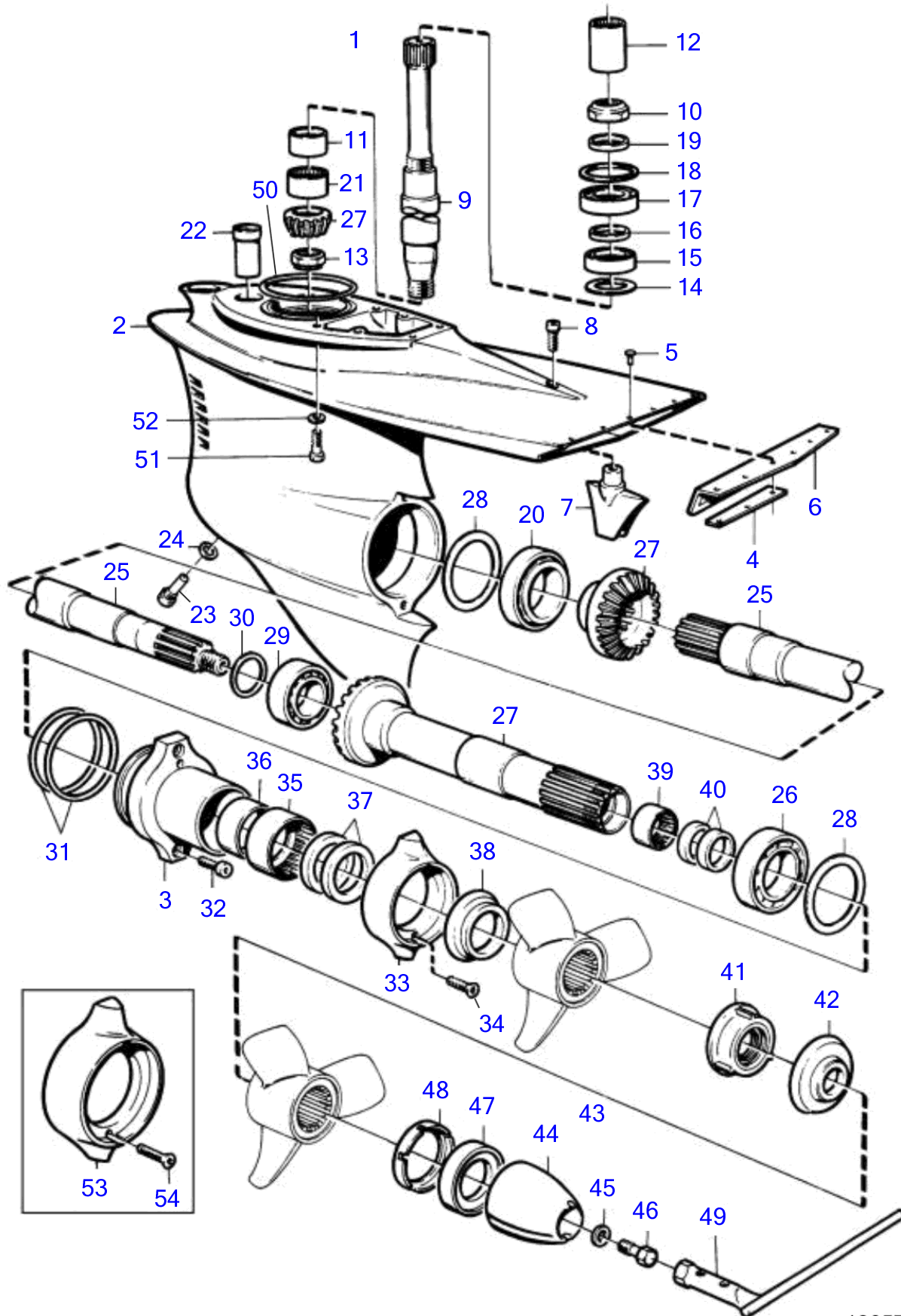


DP-C1 1.95, DP-C1 2.30



12657

Upd:2014-10-27

12657

7749309-44-10818

DP-C1 1.95, DP-C1 2.30

REF	PART NO.	QTY	DESCRIPTION	NOTES
1	872766	1	Lower gear, 1.95:1	
	3803185	1	Gear housing, 1.95:1, exch	
	872765	1	Lower gear, 2.30:1	
	3803184	1	Gear housing, 2.30:1, exch	
2	854051	1	• Housing	
3	854053	1	• • Bearing housing	
4	852643	2	• • Attaching plate	
5	948338	6	• • Blind rivet	
6	852644	1	• • Check valve	
7	854054	1	• Fin	
8	941817	1	• Hex. socket screw	
9	854611	1	• Countershaft	
10	969071	1	• • Round nut	
11	184682	1	• • Inner ring	
12	3852268	1	• • Splined sleeve	
13	852212	1	• Nut	
14	941832	1	• Shim, 0.05 mm	
	941833	1	• Shim, 0.20 mm	
15	183374	1	• Ball bearing	
16	944970	1	• Shim	
17	11072	1	• Roller bearing	
18	944522	1	• Shim, 0.05 mm	
	42981	1	• Shim, 0.10 mm	
	968057	1	• Shim, 0.20 mm	
	42980	1	• Shim, 0.35 mm	
19	897387	1	• Tensioning ring	
20	11044	1	• Roller bearing	
21	184654	1	• Needle roller bushin	
22	814482	1	• Oil strainer	
23	852904	1	• Magnetic plug	
24	955974	1	• O-ring	
25	872533	1	• Propeller shaft	
26	184765	1	• Roller bearing	
27	852174	1	• Drive gear set, 1.95:1	
	852380	1	• Drive gear set, 2.30:1	
28	967352	1	• Shim, 0.05 mm	
	941823	1	• Shim, 0.10 mm	
	967351	1	• Shim, 0.15 mm	
	941824	1	• Shim, 0.20 mm	
	941825	1	• Shim, 0.40 mm	
29	184691	1	• Roller bearing	
30	191834	1	• Shim, 0.10 mm	
	191835	1	• Shim, 0.15 mm	
	191837	1	• Shim, 0.25 mm	
31	925258	2	• O-ring	
32	941812	2	• Hex. socket screw	
33	875821	1	• Zinc ring kit	
34	966808	2	• • Screw	
35	183859	1	• Needle roller bushin	
36	184683	1	• Inner ring	
37	851407	2	• Sealing ring	
38	872871	1	• Thrust ring, front	
39	183272	1	• Needle roller bearin	
40	853871	1	• Sealing ring	
41	3851334	1	• Propeller nut	
42	872872	1	• Thrust ring, rear	
43	872549	1	• Spinner	
44		1	• • Propeller cone	
45	943194	1	• • Washer	
46	872546	1	• • Lock screw	
47	853676	1	• • Spacer ring, for diesel	
48	854294	1	• • Plastic washer	
49	873058	1	• Tool kit, for 872549	

7749309-44-10818

12657

Upd:2014-10-27

DP-C1 1.95, DP-C1 2.30

REF	PART NO.	QTY	DESCRIPTION	NOTES
50	925256	1	O-ring	Incl. in duoprop® drive unit.
51	941810	4	Hex. socket screw	Incl. in duoprop® drive unit.
52	853095	4	Washer	Incl. in duoprop® drive unit.
53	876138	1	Anode kit	To be used in fresh water.
54	966808	1	• Screw	