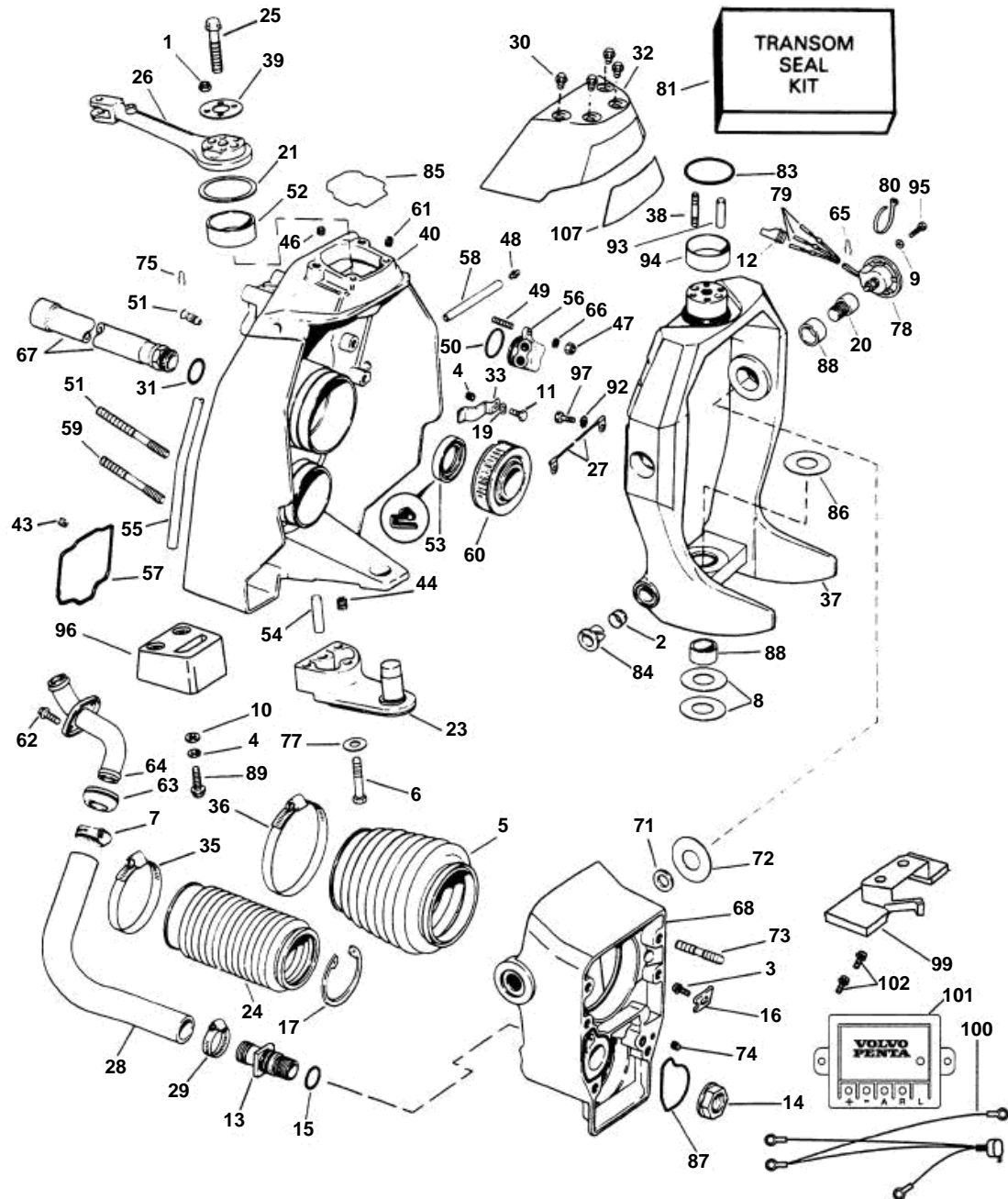


# SX-M -MAC, -MDA, -MDB, -MLT - TRANSOM SHIELD



# SX-M -MAC, -MDA, -MDB, -MLT - TRANSOM SHIELD

REF	PART NO.	QTY	DESCRIPTION	SEE SEC.	NOTES
1	3852004	4	Lock nut, Steering arm stud		
2	3853424	2	Grommet, Pivot pin		
3	3852006	1	Screw, Shift cable retainer		
4	3852061	2	Washer, Anode		
5	3854127	1	Bellows, U joint		
6	3852151	5	Screw, Support hsg to gimbal hsg		
7	3852602	2	Clamp, Water hose		
8	3852557	2	Thrust washer, Gimbal to gimbal hsg		
9	3853458	2	Washer, Trim sender to gimbal		
10	3852191	2	Washer, Anode		
11	3852201	2	Screw, Clamp, oil line assy, gimbal hsg		
12	3852239	1	Pin connector, Sending unit (3 pin)		
13	3852533	1	Nipple, Water inlet		
14	3852534	1	Nut, Nipple, water inlet		
15	3852535	1	O-ring, Nipple, water inlet		
16	3852313	1	Retainer, Shift cable		
17	3852665	1	Retainer, Bellows to pivot hsg, exhaust		
19	3852191	2	Washer, Screw, clamp, oil assy, gimbal hsg		
20	3852316	2	Screw, Gimbal to pivot		
21	3852554	1	Thrust washer, Steering arm		
23	3852380	1	Bracket		
24	3850426	1	Rubber bellows		
25	3852591	1	Screw, Steering arm to gimbal		
26	3852379	1	Spindle arm		
27	3857347	1	Ground cable, Pivot housing to gimbal		
28	3852352	1	Hose, Water inlet		
29	948616	1	Strip clamp, Water inlet to hose		
30	3857146	4	Screw, Cap to gimbal housing		
31	3852537	1	O-ring, Sleeve & connector assy to gimbal hsg		
32	3857238	1	Cover, Gimbal hsg		
33	3852354	2	Clamp, Oil line assy, gimbal hsg		
35	3852603	1	Clamp, Exhaust bellows		
36	3852604	1	Clamp, U joint bellows		
37	3856987	1	Suspension fork		
38	3852588	4	Stud, Gearcase to upper gear hsg		
39	3852585	1	Plate, Steering arm mounting		
40	3856990	1	Housing		
	3851975	1	· Plastic plug, Hole, accessory access		
	3852193	1	· Washer		
43	3852953	4	· Thread insert, Exhaust pipe		
44	3852515	3	· Thread insert, Threaded, 3/8-16		
45	3852513	2	· Thread insert, Threaded, 5/16-18		
46	3852567	2	Thread insert		
47	3852005	1	· Nut, Stud, manifold block		
48	3852121	1	· Fitting, Tube, U joint bearing		
49	3852141	1	· Stud, Manifold block		

# SX-M -MAC, -MDA, -MDB, -MLT - TRANSOM SHIELD

REF	PART NO.	QTY	DESCRIPTION	SEE SEC.	NOTES
50	3852169	1	· O-ring, Manifold block		
51	3852546	4	· Stud, Transom, long		
52	3852547	1	· Bearing, Upper steering		
53	3852548	1	· Seal, Drive shaft		
54	3852549	1	· Pin, Support housing		
55	3852550	1	· Seal, Transom		
56	3852559	1	· Block		
57	3852846	1	· Seal, Exhaust pipe to gimbal hsg		
58	3852564	1	· Tube, Grease fitting		
59	3852576	2	· Stud, Transom, short		
60	3853807	1	· Bearing, U joint		
	3855707	1	· Bearing, U joint (Diesel only)		
63	3852556	1	· Bushing, Water tube		
64	3853880	1	· Tube, Gimbal hsg		
65	3852555	1	· Retainer, Plug to gimbal hsg		
85	3857087	1	· Seal, Cover to gimbal hsg		
66	3852193	1	Washer, Stud, manifold block		
67	3850694	1	Cable sleeve		
68	3857979	1	Housing		
71	3852558	2	· Thrust washer, Dimbal to pivot hsg		Incl. in transom seal kit
72	3852697	2	· Thrust washer, Pivot screw, pivot hsg		
73	3852551	6	· Stud, Pivot to gear hsg		
74	3852514	1	· Thread insert		
77	3852155	3	Washer, Steering support brkt to gimbal hsg		
78	3855535	1	Sender		
	3857308	1	Trim indicator		SX-MAC
79	3852257	2	Cable terminal, Socket		
80	3852149	1	Lock strap, Trim sender lead to grease tube		
81	3854270	1	Sealing kit		
84	3853423	4	· Bushing, Pivot pin, trim & tilt cylinder		Incl. in transom seal kit
86	3852557	1	· Thrust washer, Gimbal to support bracket		Incl. in transom seal kit
87	3852560	1	· Seal, Water passage		Incl. in transom seal kit
88	3852544	3	· Bearing, Steering & tilt		Incl. in transom seal kit
89	3852192	2	Screw, Anode		
	940172	2	Screw, Anode		Diesel; not shown
	3851823	2	Spacer, Anode		Diesel; not shown
	3852698	2	Pivot screw		
92	3852193	2	Washer, Ground wire to gimbal		
93	3852545	2	Locating pin, Steering arm		
94	3852571	1	Sleeve, Gimbal		
96	3855610	1	Magnesium anode		
	3854130	1	Zinc anod		
			Bulletin P-44-1-1	P-44-1-1-EN	Anodes, SX AND DP-S
97	3852050	1	Screw, Ground wire		
98	3851984	1	Corrosion protection		
99	3851985	1	· Sensor		

7797530 - - 0-0003

GR980681

Upd: 22 NOV 2005

**SX-M -MAC, -MDA, -MDB, -MLT - TRANSOM SHIELD**

REF	PART NO.	QTY	DESCRIPTION	SEE SEC.	NOTES
100	3855793	1	· Cable		
101	3851972	1	· Electronic unit		
102	959951	2	· Screw		
	3856636	1	· Spacer		
	3856637	1	· Spacer		
	3855584	1	Control unit, DP-S		Not shown
	857534	1	Control unit		Not shown
107	3857652	1	Decal, Volvo Penta		
	3856632	1	· Small parts kit		