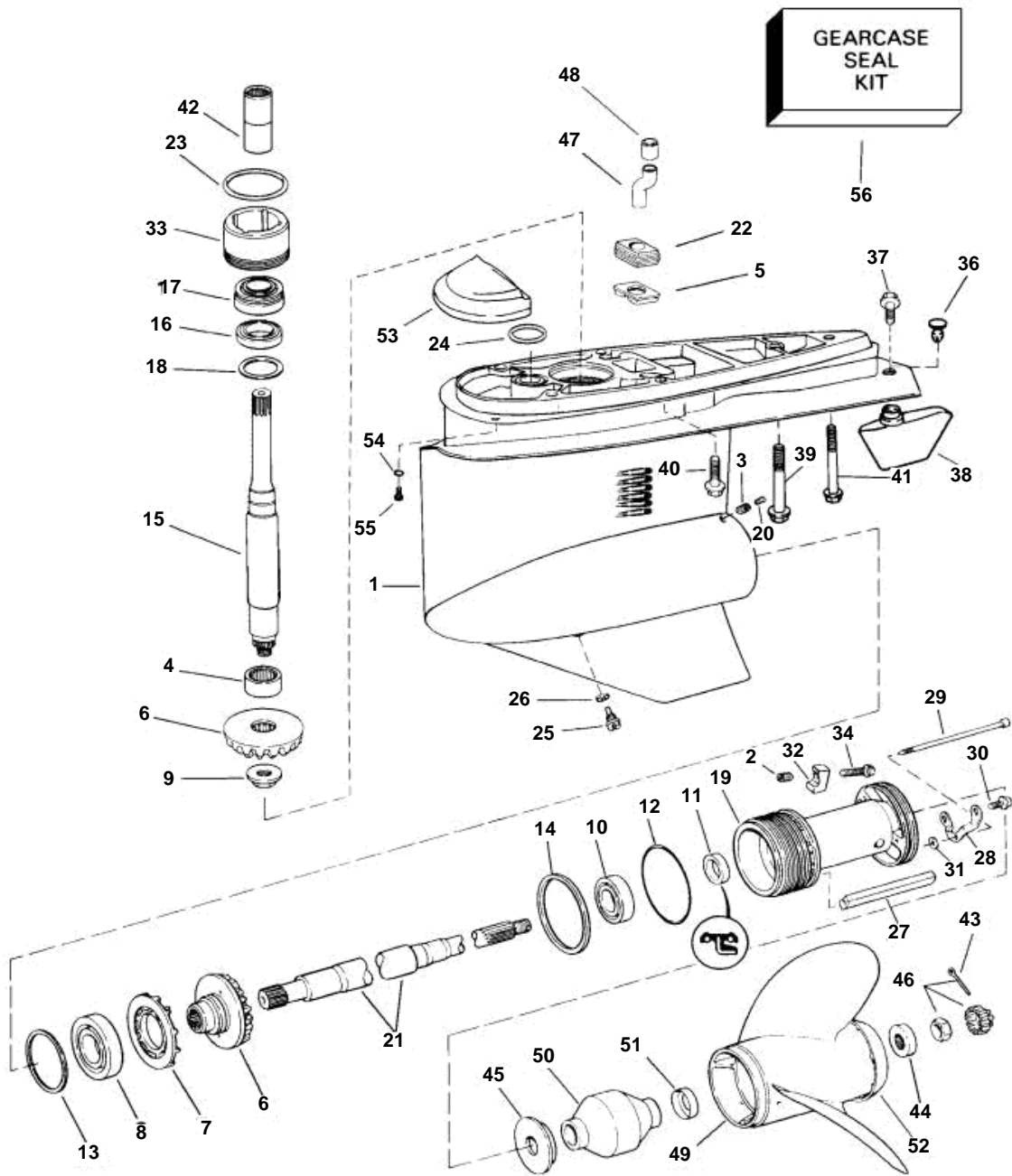


SX-C2 - LOWER GEAR UNIT, SINGLE PROP



SX-C2 - LOWER GEAR UNIT, SINGLE PROP

REF	PART NO.	QTY	DESCRIPTION	SEE SEC.	NOTES
	3855692	1	Gear under, SX,1.43:1		Not shown
	3855693	1	Gear under, SX,1.51:1,1.79:1		Not shown
	3855694	1	Gear under, SX,1.60:1,1.89:1		Not shown
	3855695	1	Gear under, SX,1.66:1,1.97:1		Not shown
	3855696	1	Gear under, SX,1.851, 2.18:1		Not shown
1	3855363	1	• Gear under, SX		
2	3852515	1	• • Thread insert, Prop shaft retainer		
3	3852567	1	• • Thread insert, 5/16 x 18, short		
4	3853934	1	• • Roller bearing, Pinion		
5	3854601	1	• Retainer, Seal, water tube		
6	3852402	1	• Gear set, Pinion & drive gears		1.51,1.79
	3852403	1	• Gear set, Pinion & drive gears		1.60,1.89
	3852404	1	• Gear set, Pinion & drive gears		1.66,1.97
	3852405	1	• Gear set		1.85, 2.18
	3854814	1	• Gear set, Pinion & drive gears		1.43
7	3853941	1	• • Pump rotor		
8	3850942	1	• • Bearing		
9	3851003	1	• Nut, Pinion to driveshaft		
10	3854249	1	• Bearing, Propeller shaft housing		
11	3853474	1	• Seal, Propeller shaft hsg		
12	3852865	1	• O-ring, Propshaft bearing hsg to gearcase		
13	3850695		• Adjusting washer, Gear position, 0.002 in. (0.05 mm)		As required
	3852886		• Shim, Gear position, 0.003 in. (0.08 mm)		As required
	3852885		• Shim, Gear position, 0.004 in. (0.10 mm)		As required
	3852887		• Shim, Gear position, 0.005 in. (0.13 mm)		As required
	3852888		• Shim, Gear position, 0.010 in. (0.25 mm)		As required
14	3852881		• Adjusting washer, 0.096 in. (2.44 mm), propshaft brg hsg		As required
	3852882		• Adjusting washer, 0.098 in. (2.49 mm), propshaft brg hsg		As required
	3852868		• Adjusting washer, 0.100 in. (2.55 mm), propshaft brg hsg		As required
	3852869		• Adjusting washer, 0.102 in (2.60 mm), propshaft brg hsg		As required
	3852870		• Adjusting washer, 0.104 in (2.65 mm), propshaft brg hsg		As required
	3852871		• Adjusting washer, 0.106 in (2.70 mm), propshaft brg hsg		As required
	3852872		• Adjusting washer, 0.108 in (2.75 mm), propshaft brg hsg		As required
	3852873		• Adjusting washer, 0.110 in (2.80 mm), propshaft brg hsg		As required
	3852874		• Adjusting washer, 0.112 in (2.85 mm), propshaft brg hsg		As required
	3852875		• Adjusting washer, 0.114 in (2.90 mm), propshaft brg hsg		As required
	3852876		• Adjusting washer, 0.116 in (2.95 mm), propshaft brg hsg		As required
	3852877		• Adjusting washer, 0.118 in (3.00 mm), propshaft brg hsg		As required
	3852878		• Adjusting washer, 0.120 in (3.05 mm), propshaft brg hsg		As required
	3852879		• Adjusting washer, 0.122 in (3.10 mm), propshaft brg hsg		As required
	3852880		• Adjusting washer, 0.124 in (3.16 mm), propshaft brg hsg		As required
15	3851342	1	• Countershaft, Lower		
16	3854249	1	• Bearing, Lower driveshaft		
17	3854250	1	• Bearing, Upper driveshaft		
18	3852889		• Shim, Pinion position, 0.003 in. (0.08 mm)		As required
	3852890		• Shim, Pinion position, 0.004 in. (0.10 mm)		As required

SX-C2 - LOWER GEAR UNIT, SINGLE PROP

REF	PART NO.	QTY	DESCRIPTION	SEE SEC.	NOTES
18	3852891		• Shim, Pinion position, 0.005 in. (0.13 mm)		As required
	3852892		• Shim, Pinion position, 0.010 in. (0.25 mm)		As required
19	3853492	1	• Housing, Propeller shaft		
20	3853272	1	• Screw, Propshaft bearing hsg to gearcase		
21	3852271	1	• Driveshaft		
22	3854595	1	• Seal, Water supply tube to gearcase		Part of gearcase seal kit
23	3852866	1	• O-ring, Gearcase to upper gear hsg		Part of gearcase seal kit
24	3852959	1	• O-ring, Gearcase to upper gear hsg, oil sump		Part of gearcase seal kit
25	3854539	1	• Plug, Oil drain, upper gear hsg		
26	3855081	1	• O-ring, Gearcase plug		Part of gearcase seal kit
27	3852970	1	• Anode, Propeller shaft bearing hsg		
28	3852971	1	• Retainer, Anode		
29	3852972	1	• Screw, Anode to propshaft		
30	3853309	2	• Screw, Anode retainer to propshaft brg hsg		
31	3852973	1	• Washer, Anode to propshaft		
32	3853371	1	• Retainer, Propshaft bearing hsg to gearcase		
33	3855636	1	Retainer, Bearing, lower vertical driveshaft		
34	3852478	1	Screw, Propeller shaft retainer to gearcase		
36	3850662	1	Plug, Trim tab hole, lower gearcase		Gasoline
37	3852008	1	Screw, Trim tab		1.85,1.97, diesel
38	3854402	1	Trim fin		1.85,1.97, diesel
39	3852349	1	Screw, Gearcase to upper gear hsg		Rear
	3854806	1	Screw, Gearcase to gear hsg		Middle
40	3854807	4	Screw, Gearcase to gear hsg		Front, port & stbd
41	3852960	1	Screw, Gearcase to upper gear hsg		Rear
	3854805	1	Screw, Gearcase to gear hsg		Rear
42	3852268	1	Splined sleeve		
			Bulletin P-44-1-6	P-44-1-6-EN	Lower Gear Unit
43	3852056	1	Pin, Propeller		
44	3852350	1	Spacer, Propeller nut		
45	3852020	1	Bushing, Propeller		
46	3850984	1	Propeller nut, Propeller		
47	3854795	1	Tube, Water supply		
48	3852315	1	Seal		Part of gearcase seal kit
49	3850298	1	Propeller, 15 1/2 x 13		RR, aluminum
	3850299	1	Propeller, 151/2 x 15		RR, aluminum
	3850300	1	Propeller, 15 x 17		RR, aluminum
	3850301	1	Propeller, 141/2 x 19		RR, aluminum
	3850302	1	Propeller, 141/4x21		RR,aluminum
	3850303	1	Propeller, 141/4 x 23		RR, aluminum
	3850304	1	Propeller, 151/2 x 14		RR, SS
	3850305	1	Propeller, 15 x 15		RR, SS
	3850306	1	Propeller, 15 x 16		RR, SS
	3850307	1	Propeller, 15 x 17		RR, SS
			Bulletin 56-11	56-11-EN	Replacement of SX Propellers
49	3850308	1	Propeller, 141/2 x 19		RR, SS

7797530 - - 0-0006

GR960285

Upd: 22 NOV 2005

BY Drives

VOLVO
PENTA

SX-C2 - LOWER GEAR UNIT, SINGLE PROP

REF	PART NO.	QTY	DESCRIPTION	SEE SEC.	NOTES
			Bulletin 56-11	56-11-EN	Replacement of SX Propellers
49	3850309	1	Propeller, 141/4 x 21		RR, SS
			Bulletin 56-11	56-11-EN	Replacement of SX Propellers
49	3850310	1	Propeller, 141/4 x 23		RR, SS
			Bulletin 56-11	56-11-EN	Replacement of SX Propellers
49	3850311	1	Propeller, 15 x 17		RR, polished SS
			Bulletin 56-11	56-11-EN	Replacement of SX Propellers
49	3850312	1	Propeller, 141/2 x 19		RR, polished SS
			Bulletin 56-11	56-11-EN	Replacement of SX Propellers
49	3850313	1	Propeller, 141/4 x 21		RR, polished SS
			Bulletin 56-11	56-11-EN	Replacement of SX Propellers
49	3850314	1	Propeller, 141/4 x 23		RR, polished SS
			Bulletin 56-11	56-11-EN	Replacement of SX Propellers
49	3850315	1	Propeller, 15 x 15		. LR, SS
	3850316	1	Propeller, 15 x 17		. LR, SS
			Bulletin 56-11	56-11-EN	Replacement of SX Propellers
49	3850317	1	Propeller, 141/2 x 19		LR, SS
			Bulletin 56-11	56-11-EN	Replacement of SX Propellers
49	3850318	1	Propeller, 141/4x21		LR, SS
			Bulletin 56-11	56-11-EN	Replacement of SX Propellers
49	3850319	1	Propeller, 141/4 x 23		LR, SS
			Bulletin 56-11	56-11-EN	Replacement of SX Propellers
49	3850320	1	Propeller, 15 x 17		LR, polished SS
			Bulletin 56-11	56-11-EN	Replacement of SX Propellers
49	3850321	1	Propeller, 141/2 x 19		LR, polished SS
			Bulletin 56-11	56-11-EN	Replacement of SX Propellers
49	3850322	1	Propeller, 141/4 x 21		LR, polished SS
			Bulletin 56-11	56-11-EN	Replacement of SX Propellers
49	3850323	1	Propeller, 141/4 x 23		LR, polished SS
			Bulletin 56-11	56-11-EN	Replacement of SX Propellers
50	3850324	1	• Propeller bushing, Propeller		Aluminum
	3850325	1	• Propeller bushing, Propeller		SS; polished SS
51	3850831	1	• Sleeve, Bushing		
52	3854241	1	• Ring		Aluminum
53	3855411	1	Zinc anod		
			Bulletin P-44-1-1	P-44-1-1-EN	Anodes, SX AND DP-S
53	3855412	1	Magnesium anode		
54	3852182	2	Lock washer, Anode		
55	3852186	2	Screw, Anode to gearcase		
56	3855275	1	Seal		