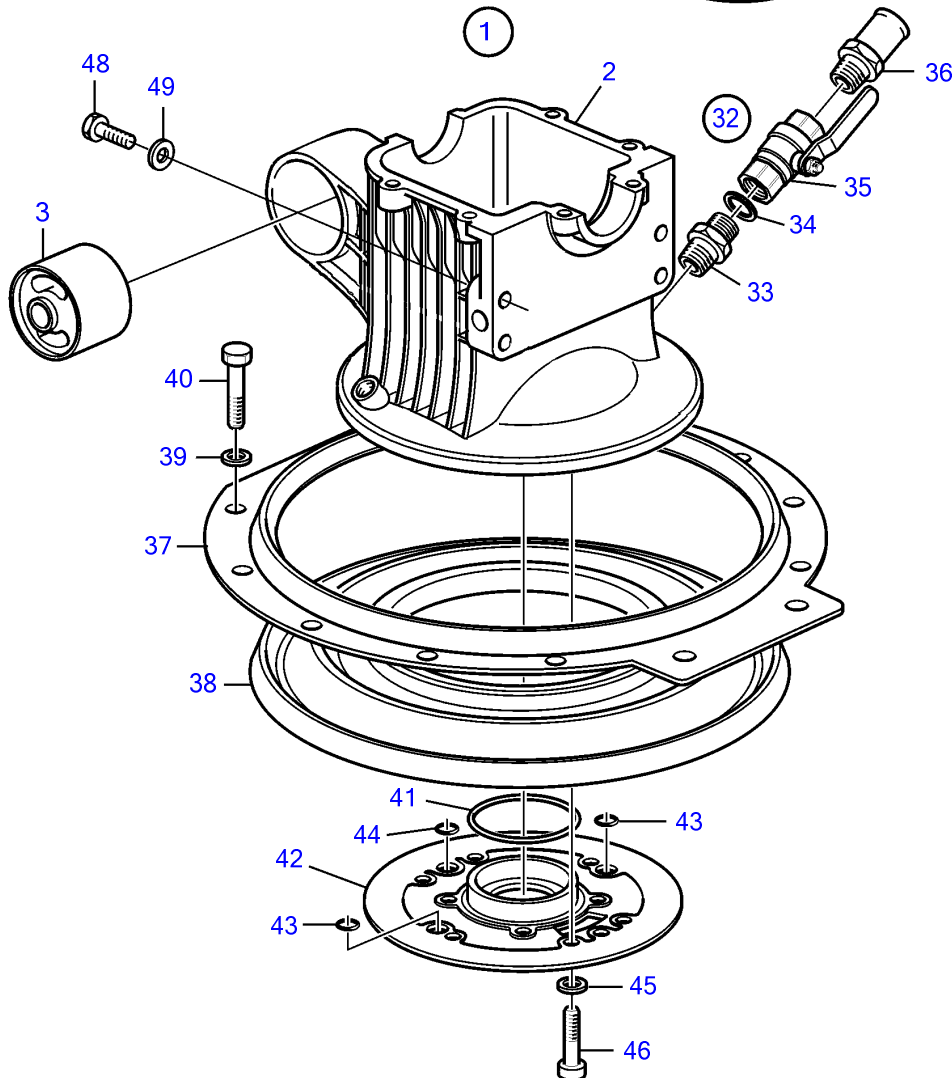
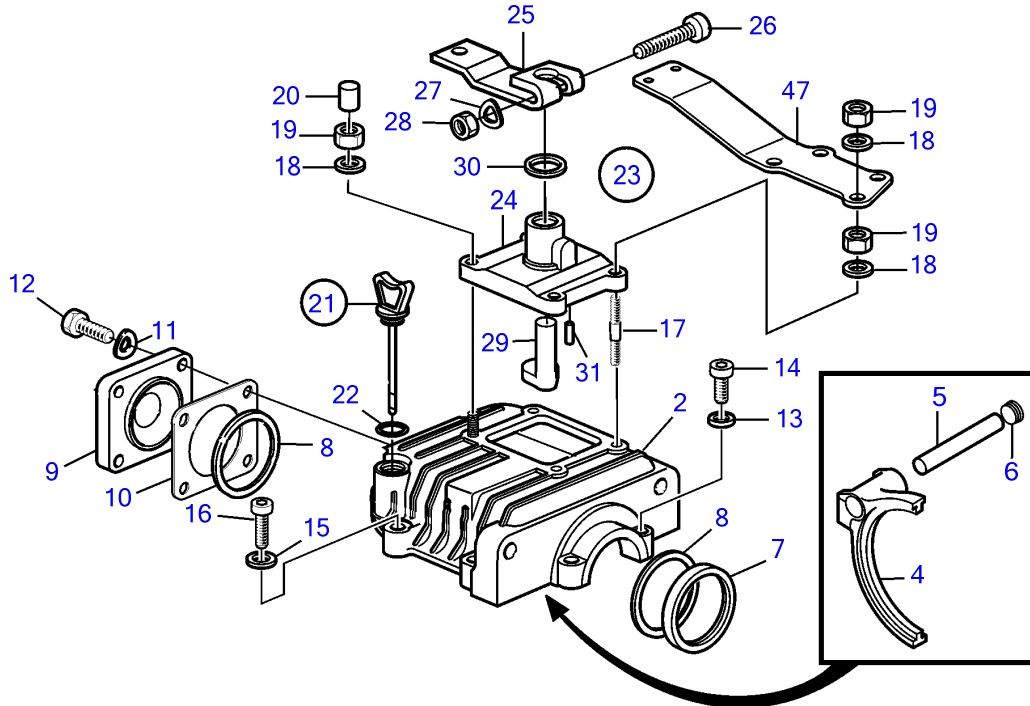


130S-A, 130S-B, 130SR-A, 130SR-B



130S-A, 130S-B, 130SR-A, 130SR-B

REF	PART NO.	QTY	DESCRIPTION	SEE SEC.	NOTES
1	3589664	1	Upper gear		Ratio 2.47:1
			.	7626	
2	3808483	1	• Housing		
3	3586700	1	• Rubber bushing		
4	3582551	1	• Shift yoke		Replaced by service kit 40005267
	40005267	1	• Gear changing unit, shift mechanism		Includes shift mechanism 3849903, shaft 3849909 and fork 3593595.
5	3582463	1	• Fork shaft		Replaced by service kit 40005267
6	3581973	1	• Plug		
7	3583322	1	• Sealing		
8	948298	X	• Shim		TJ=0,10mm (3582566)
	948299	X	• Shim		TJ=0,15mm (3582567)
	3582568	X	• Shim		TH=0,20mm
	948300	X	• Shim		TH=0,30mm, (3582569)
	3586724	X	• Shim		TH=0,50mm
	3586728	X	• Shim		TH=1,00mm
9	3582922	1	• Cover		
10	3582557	1	• Gasket		
11	941907	4	• Spring washer		
12	955294	4	• Hexagon screw		
13	941907	6	• Spring washer		
14	941761	6	• Hex. socket screw		
15	941907	2	• Spring washer		
16	959229	2	• Hex. socket screw		
17	3586720	4	• Stud		
18	941907	6	• Spring washer		
19	955782	6	• Hexagon nut		
20		2	• Protecting cap		
21	3807633	1	• Oil dipstick		
22	3582203	1	• • O-ring		
23	3849903	1	• Shift mechanism		
24	3582550	1	• • Cover		
25	3849913	1	• • Engagement lever kit		
26		1	• • • Screw		Included in kit.
27		2	• • • Spring washer		Included in kit.
28		1	• • • Nut		Included in kit.
29		1	• • Cam		
30	3581966	1	• • Sealing		
31		1	• • Pin		Included in kit.
32		1	• Drain cock		
33	3583431	1	• • Nipple		
34	947626	1	• • Gasket		
35	1140097	1	• • Ball valve		
36	3583432	1	• • Nipple		
37	3586701	1	• Tensioning ring		
38	21389074	1	• Rubber bellows		
			.	7621	
39	941670	10	• Washer		
40	946541	10	• Hex. socket screw		
41	925256	1	• O-ring		
42	3584064	1	• Intermediate plate		
43	944364	2	• O-ring		
44	976994	1	• O-ring		
45	941670	3	• Washer		
46	946541	3	• Hex. socket screw		
47	3586718	1	Bracket		
48	965185	6	Flange screw		
49	976945	6	Washer		