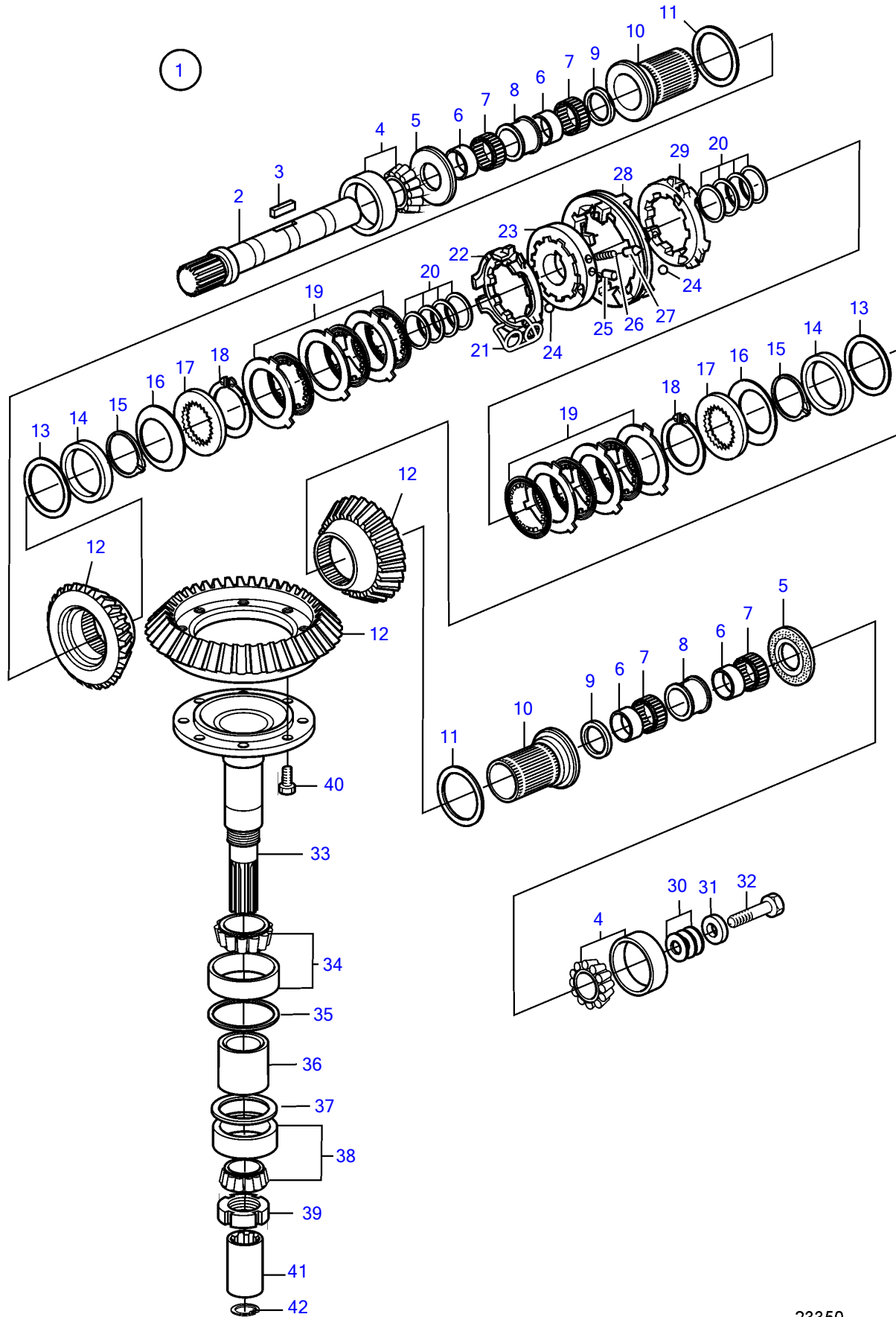


MS25S-A, MS25SR-A



MS25S-A, MS25SR-A

REF	PART NO.	QTY	DESCRIPTION	NOTES
1	3583351	1	Upper gear	
2	3841088	1	• Input shaft	(3583325)
3	3582591	1	• Key	
4	183834	2	• Roller bearing	(3583326)
5	3582571	2	• Thrust washer	
6	3582904	4	• Inner race	
7	3582905	4	• Needle bearing	
8	3582906	2	• Spacer ring	
9	3583327	2	• Ring	
10	3582907	2	• Bushing	
11	3582908	2	• Shim	TH=0,10mm
	3582911	2	• Shim	TH=0,20mm
	3582910	2	• Shim	TH=0,30mm
	3586723	2	• Shim	TJ=0,50mm (3582912)
12	3583328	1	• Gear set	
13	948298	X	• Shim	TJ=0,10mm (3582566)
	948299	X	• Shim	TJ=0,15mm (3582567)
	3582568	X	• Shim	TJ=0,20mm (3582903)
	3582568	X	• Shim	TH=0,30mm
	948300	X	• Shim	TH=0,50mm, (3582569)
14	3582914	2	• Spacer	
15	3582913	2	• Ring	
16	3582915	2	• Spring	Replaced by 3808598
	3808598	2	• Disc spring	
17	3582916	2	• End disc	
18	3582917	2	• Lock ring	
19	877370	1	• Disc kit	(3582578, 3582579)
20	3582872	X	• Shim	TH=0,15mm
	3583430	X	• Shim	TH=0,20mm
	3583429	X	• Shim	TH=0,30mm
	3582580	X	• Shim	TH=0,40mm
	3582581	X	• Shim	TH=0,50mm
	3582582	X	• Shim	TH=0,60mm
	3582583	X	• Shim	TH=0,70mm
21	3582024	3	• Torsion spring	
22	3583344	1	• Retainer	Replaced by kit 3593848.
23	3582898	1	• Ring	
24	3582585	6	• Ball	
25	3582590	3	• Spindle	
26	3582588	3	• Spring	
27	3582589	3	• Stop pin	
28	3583345	1	• Sleeve	Replaced by kit 3593848.
29	3583343	1	• Retainer	Replaced by kit 3593848.
30	(3583346)	X	• Shim	Obsolete part, TH=0.10mm
	3582900	X	• Shim	TH=0,20mm
	3582901	X	• Shim	TH=0,50mm
	3586727	X	• Shim	TJ=1,00mm (3582902)
31	3582899	1	• Washer	
32	970948	1	• Hexagon screw	
33	3582879	1	• Gear	
34	11041	1	• Roller bearing	(3582924)
35	3582873	X	• Shim	TH=0,10mm
	3582874	X	• Shim	TH=0,15mm
	3582875	X	• Shim	TH=0,20mm
36	3582880	1	• Spacer	
37	3582872	X	• Shim	TH=0,15mm
	3583430	X	• Shim	TH=0,20mm
	3583429	X	• Shim	TH=0,30mm
	3582580	X	• Shim	TH=0,40mm
	3582581	X	• Shim	TH=0,50mm
	3582582	X	• Shim	TH=0,60mm
	3582583	X	• Shim	TH=0,70mm
38	183834	1	• Roller bearing	(3583326)

