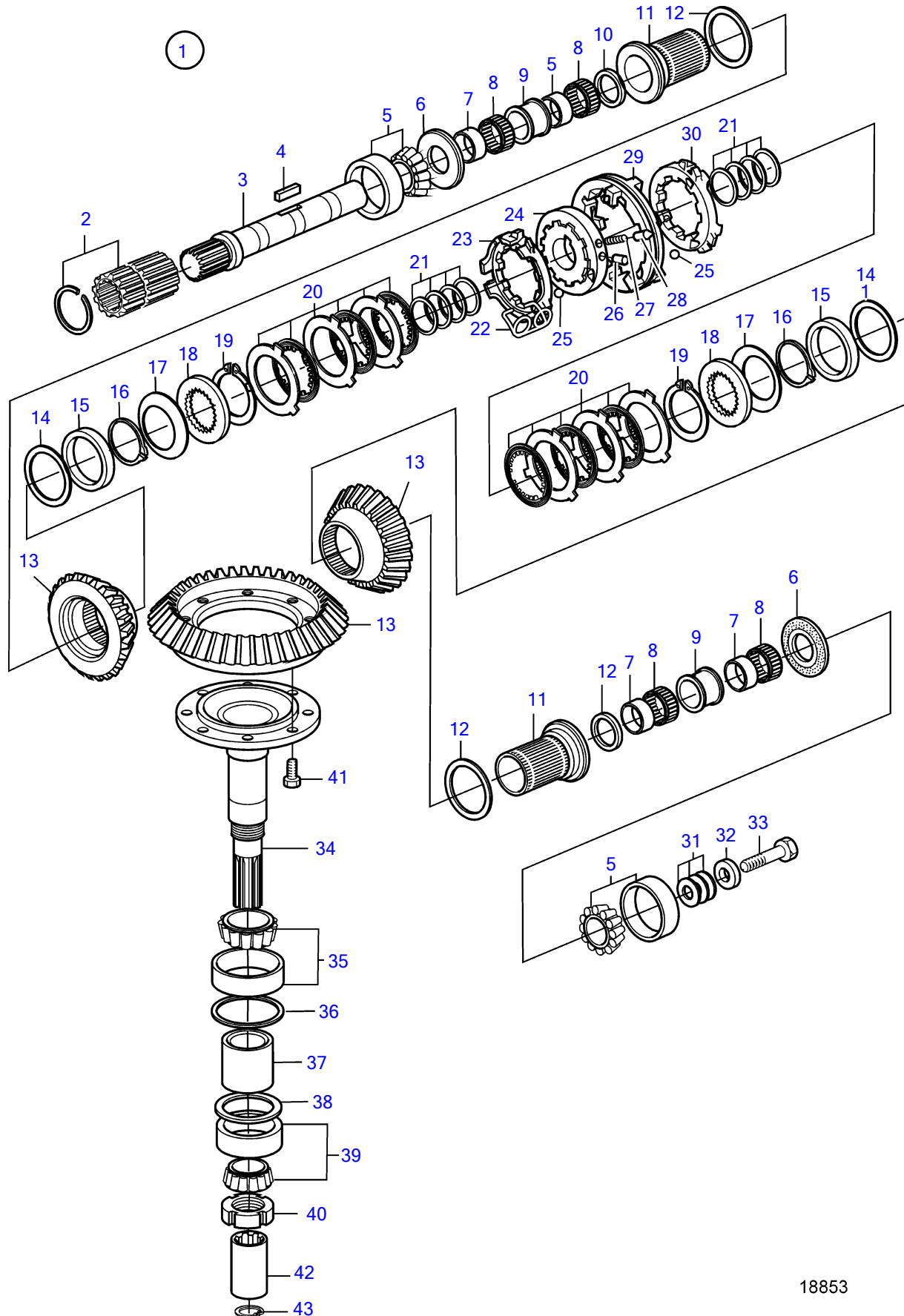


MS25S-A, MS25SR-A



18853

MS25S-A, MS25SR-A

REF	PART NO.	QTY	DESCRIPTION	NOTES
1	3583352	1	Upper gear	
2	3843112	1	• Splined sleeve	(3583492)
3	3841088	1	• Input shaft	
4	3582591	1	• Key	
5	183834	2	• Roller bearing	(3583326)
6	3582571	2	• Thrust washer	
7	3582904	4	• Inner race	
8	3582905	4	• Needle bearing	
9	3582906	2	• Spacer ring	
10	3583327	2	• Ring	
11	3582907	2	• Bushing	
12	3582908	2	• Shim	TH=0,10mm
	3582911	2	• Shim	TH=0,20mm
	3582910	2	• Shim	TH=0,30mm
	3586723	2	• Shim	TH=0,50mm
13	3583328	1	• Gear set	
14	948298	X	• Shim	TJ=0,10mm (3582566)
	948299	X	• Shim	
	3582568	X	• Shim	TJ=0,20mm (3582903)
	3582568	X	• Shim	TH=0,30mm
	948300	X	• Shim	TH=0,50mm, (3582569)
15	3582914	2	• Spacer	
16	3582913	2	• Ring	
17	3582915	2	• Spring	Replaced by 3808598
	3808598	2	• Disc spring	
18	3582916	2	• End disc	
19	3582917	2	• Lock ring	
20	877370	1	• Disc kit	(3582578, 3582579)
21	3582872	X	• Shim	TH=0,15mm
	3583430	X	• Shim	TH=0,20mm
	3583429	X	• Shim	TH=0,30mm
	3582580	X	• Shim	TH=0,40mm
	3582581	X	• Shim	TH=0,50mm
	3582582	X	• Shim	TH=0,60mm
	3582583	X	• Shim	TH=0,70mm
22	3582024	3	• Torsion spring	
23	3583344	1	• Retainer	Replaced by kit 3593848.
24	3582898	1	• Ring	
25	3582585	6	• Ball	
26	3582590	3	• Spindle	
27	3582588	3	• Spring	
28	3582589	3	• Stop pin	
29	3583345	1	• Sleeve	Replaced by kit 3593848.
30	3583343	1	• Retainer	Replaced by kit 3593848.
31	(3583346)	X	• Shim	Obsolete part, TH=0.10mm
	3582900	X	• Shim	TH=0,20mm
	3582901	X	• Shim	TH=0,50mm
	3586727	X	• Shim	TH=1,00mm
32	3582899	1	• Washer	
33	970948	1	• Hexagon screw	
34	3582879	1	• Gear	
35	11041	1	• Roller bearing	
36	3582873	X	• Shim	TH=0,10mm
	3582874	X	• Shim	TH=0,15mm
	3582875	X	• Shim	TH=0,20mm
37	3582880	1	• Spacer	
38	3582872	X	• Shim	TH=0,15mm
	3583430	X	• Shim	TH=0,20mm
	3583429	X	• Shim	TH=0,30mm
	3582580	X	• Shim	TH=0,40mm
	3582581	X	• Shim	TH=0,50mm
	3582582	X	• Shim	TH=0,60mm
	3582583	X	• Shim	TH=0,70mm

