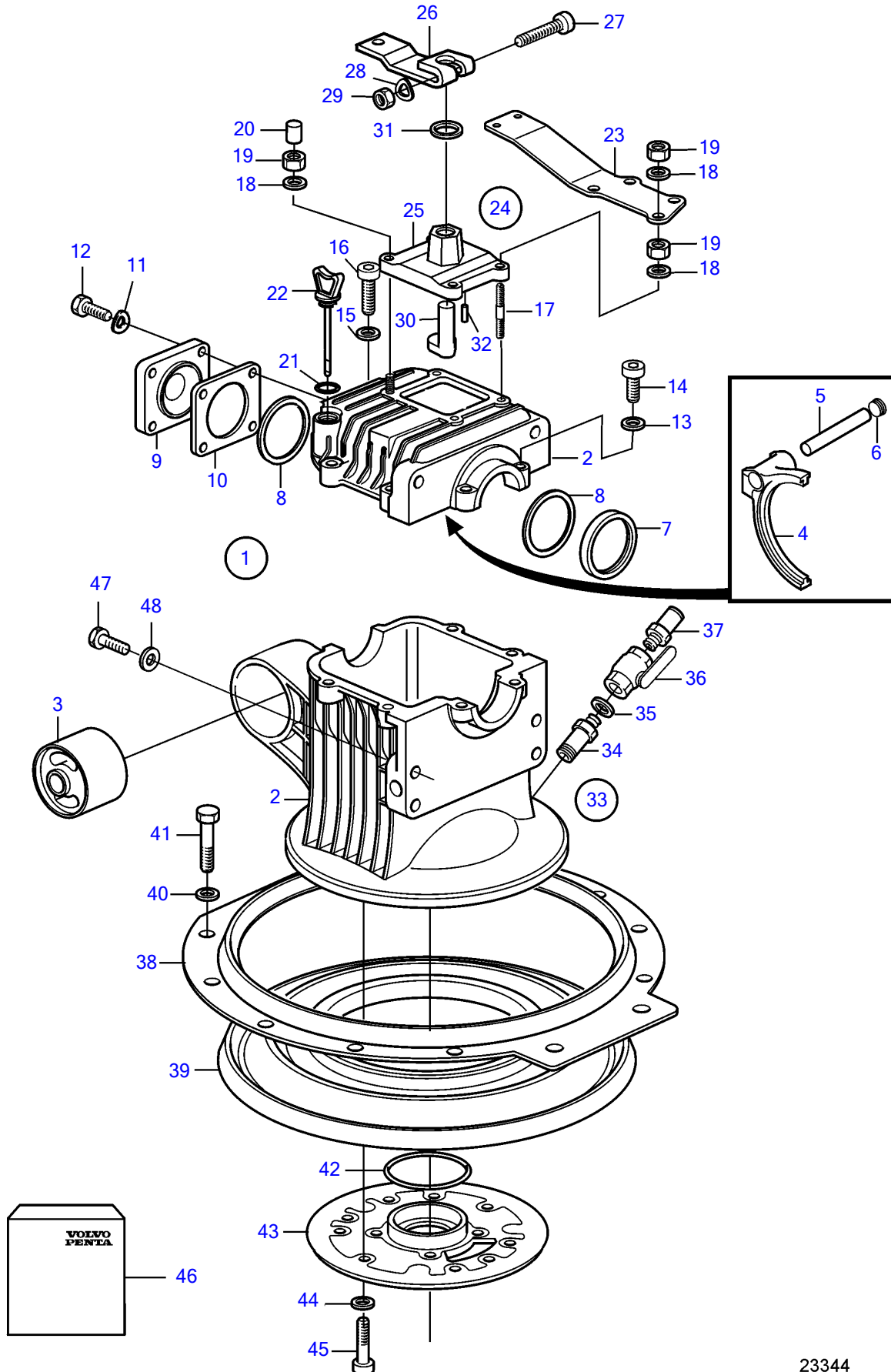


MS25S-A, MS25SR-A



## MS25S-A, MS25SR-A

REF	PART NO.	QTY	DESCRIPTION	SEE SEC.	NOTES
1	3583351	1	Upper gear		
			•		
			•	10031	
2	3582877	1	Housing		
3	3583321	1	• Rubber bushing		Replaced by 3586700
	3586700	1	• Rubber bushing		
4	3582551	1	• Shift yoke		Replaced by service kit 40005267
	40005267	1	• Gear changing unit, shift mechanism		Includes shift mechanism 3849903, shaft 3849909 and fork 3593595.
5	3582463	1	• Fork shaft		Replaced by service kit 40005267
6	3581973	1	• Plug		
7	3583322	1	• Sealing		
8	948298	X	• Shim		TJ=0,10mm (3582566)
	948299	X	• Shim		TJ=0,15mm (3582567)
	3582568	X	• Shim		TJ=0,20mm (3582903)
	3582568	X	• Shim		TH=0,30mm
	948300	X	• Shim		TH=0,50mm, (3582569)
9	3582922	1	• Cover		
10	3582557	1	• Gasket		
11	941907	4	• Spring washer		
12	955294	4	• Hexagon screw		
13	941907	6	• Spring washer		
14	955298	6	• Hexagon screw		
15	941907	2	• Spring washer		
16	955302	2	• Hexagon screw		
17	980289	4	• Stud		
18	941907	6	• Spring washer		
19	955782	6	• Hexagon nut		
20		2	• Protecting cap		
21	3582203	1	• O-ring		
22	3582201	1	• Dipstick		
23	3586718	1	• Bracket		(3582614)
24		1	• Shift mechanism		
25	3582550	1	• • Cover		
26	3586320	1	• • Engagement lever		(3581965)
27	955298	1	• • Hexagon screw		
28	941907	1	• • Spring washer		
29	955782	1	• • Hexagon nut		
30	3581969	1	• • Cam		
31	3581966	1	• • Sealing		
32		1	• • Locating pin		
33		1	• Drain cock		
34	3583431	1	• • Nipple		
35	947626	1	• • Gasket		
36	1140097	1	• • Ball valve		
37	3583432	1	• • Nipple		
38	3586701	1	• Tensioning ring		(873126)
39	21389074	1	• Rubber bellows		
			•	35925	
40	941670	10	• Washer		
41	946541	10	• Hex. socket screw		
42	3582870	1	• O-ring		
43	3582892	1	• Intermediate section		MS25S
	3583323	1	• Cover		MS25SR
	3817155	1	• Intermediate plate		MS25S, Spare part design.
	3818296	1	• Intermediate plate		MS25SR, Spare part design.
44	941670	3	• Washer		
45	946541	3	• Hex. socket screw		
46	877362	1	Mounting kit		
47	965185	6	Flange screw		
48	976945	6	Washer		

7748570-44-10029

23344

Upd:2014-06-27