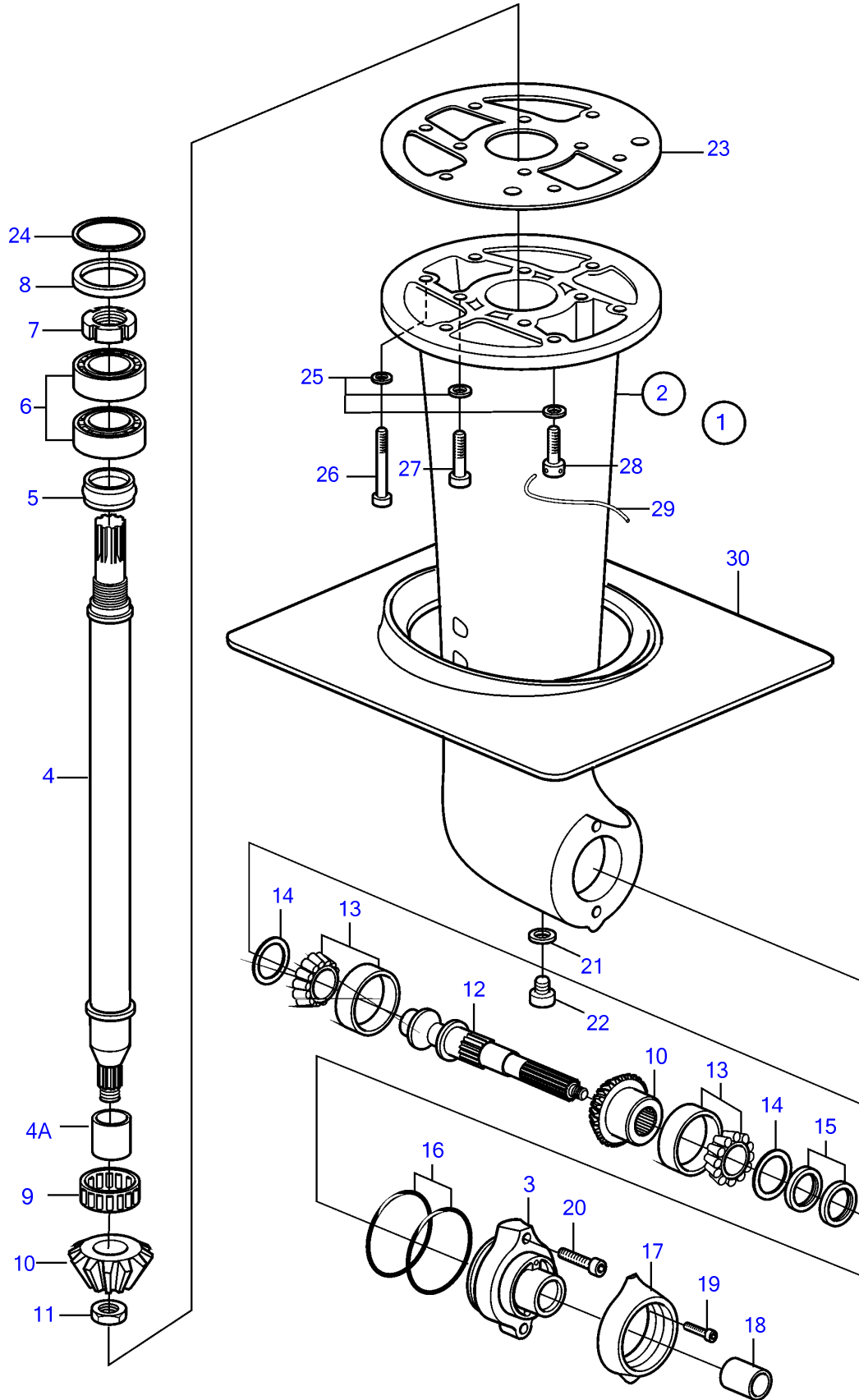


MS25S-A, MS25SR-A



MS25S-A, MS25SR-A

REF	PART NO.	QTY	DESCRIPTION	SEE SEC.	NOTES
1	3583354	1	Gear		Replaced by 3817150
	3817150	1	Gear housing kit		
			.	22287	
2	(3583446)	1	• Gear housing		Obsolete part
3	873127	1	• • Bearing housing		(3583364)
4	3582881	1	• Shaft		
4A		1	• • Sleeve		
5	3582883	1	• Bushing		
6	183834	2	• Roller bearing		(3583326)
7	3582869	1	• Nut		
8		1	• Spacer		
9	3582868	1	• Bearing		
10	3583363	1	• Gear set		
11	850981	1	• Nut		
12	3582888	1	• Propeller shaft		
13	3854249	2	• Roller bearing		(3582473)
14	851980	X	• Adjusting washer		TH=0.10mm, (3582477)
	851981	X	• Adjusting washer		TH=0.15mm, (3582478)
	3582876	X	• Shim		TH=0,20mm
	851982	X	• Adjusting washer		TH=0,30mm, (3582479)
	3583347	X	• Shim		TH=0,50mm
15	3593663	2	• Sealing ring		
16	925256	2	• O-ring		
17	876286	1	• Zinc ring kit		
18	3582887	1	• Spacer		
19	949823	2	• Cross recessed screw		M6
20	946541	2	• Hex. socket screw		M8
21	955974	1	• O-ring		
22	852904	1	• Magnetic plug		(839354)
23	3582893	1	Gasket		Included in kit 877362.
24	948298	X	Shim		TJ=0,10mm (3582566)
	948299	X	Shim		TJ=0,15mm (3582567)
	3582568	X	Shim		TJ=0,20mm (3582903)
	3582568	X	Shim		TH=0,30mm
	948300	X	Shim		TH=0,50mm, (3582569)
25	941670	10	Washer		
26	963703	2	Hex. socket screw		
27	963699	4	Hex. socket screw		
28	3582895	4	Stop screw		
29	852668	X	Locking wire		Included in kit 877362., L=700mm
30	22303438	1	Mounting kit		