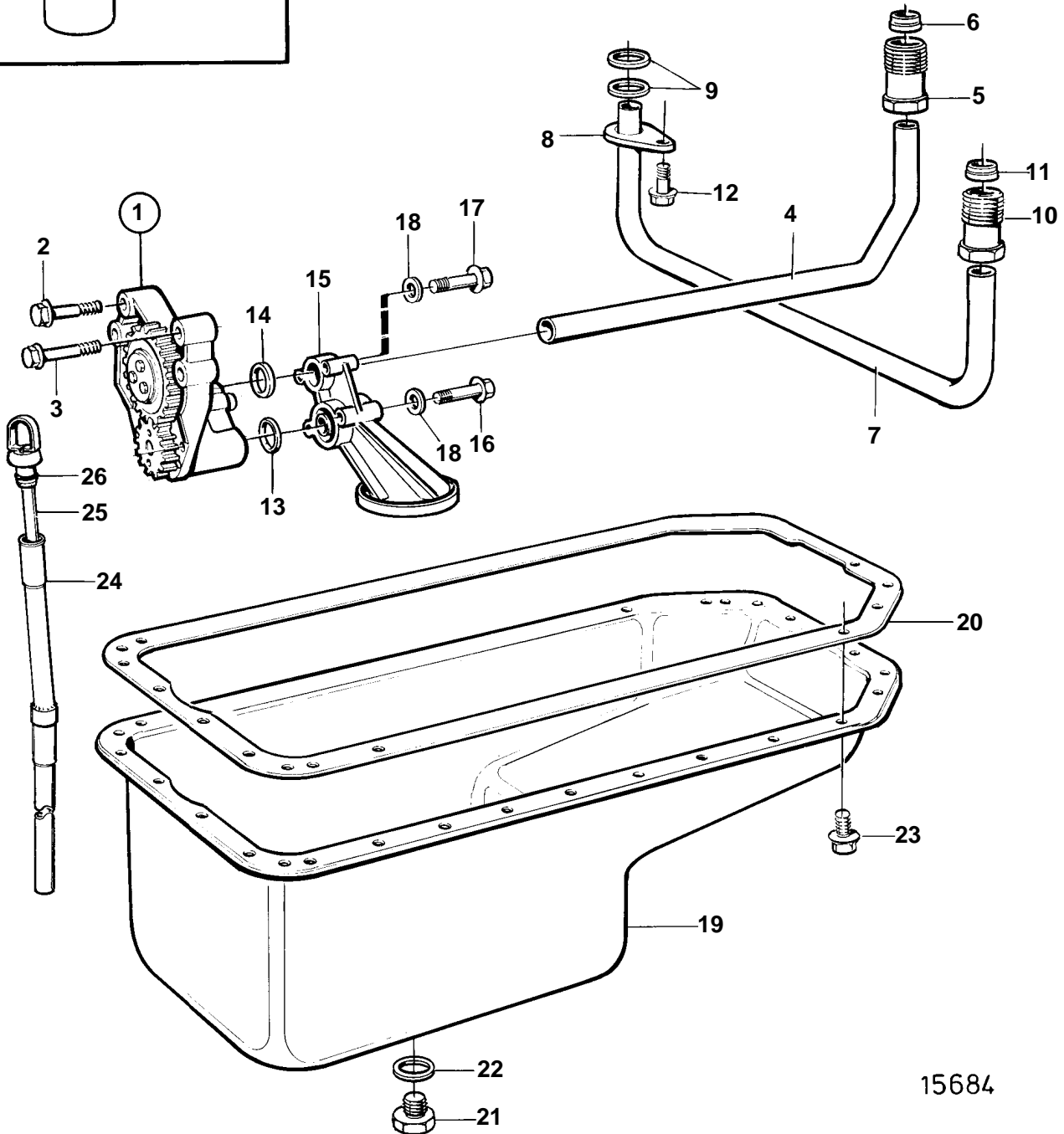
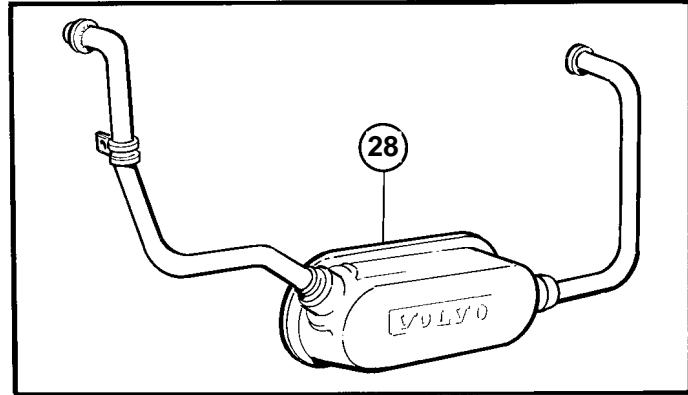
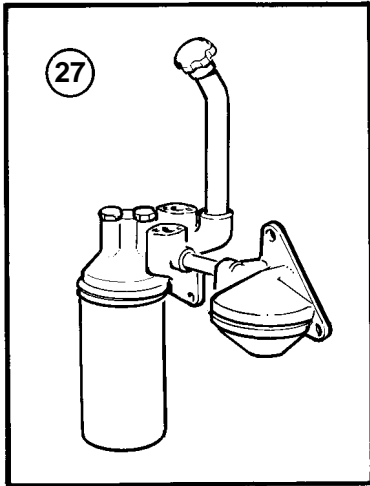


TWD710P



15684

TWD710P

REF	PART NO.	QTY	DESCRIPTION	SEE SEC.	NOTES
1	477547	1	Oil pump		
				1536	
2	471513	4	Screw		M10x70mm
3	471734	2	Screw		M8x70mm
4	477947	1	Pipe		(471587)
5	471588	1	Pressure pipe connec		
6	956972	1	Ferrule		
7	420996	1	Oil feed pipe, piston cooling		(471594)
8	471746	1	· Clamp		
9	471956	2	· Sealing ring		
10	471595	1	· Pressure pipe connec		
11	980786	1	· Ferrule		
12	946440	1	Flange screw		
13	949659	1	O-ring		
14	471956	1	Sealing ring		
15	420725	1	Oil pump screen		
16	968999	2	Screw		
17	968842	2	Flange screw		
18	955894	4	Washer		
19	421026	1	Oil pan		
20	865342	1	Gasket		
21	192538	1	Magnetic plug		
22	18677	1	Gasket		
23	946440	36	Flange screw		
24	848700	1	Tube		
25	863797	1	Oil dipstick		
26	925054	1	· O-ring		
27		1	Oil filter housing	1539	
28		1	Oil cooler	1541	