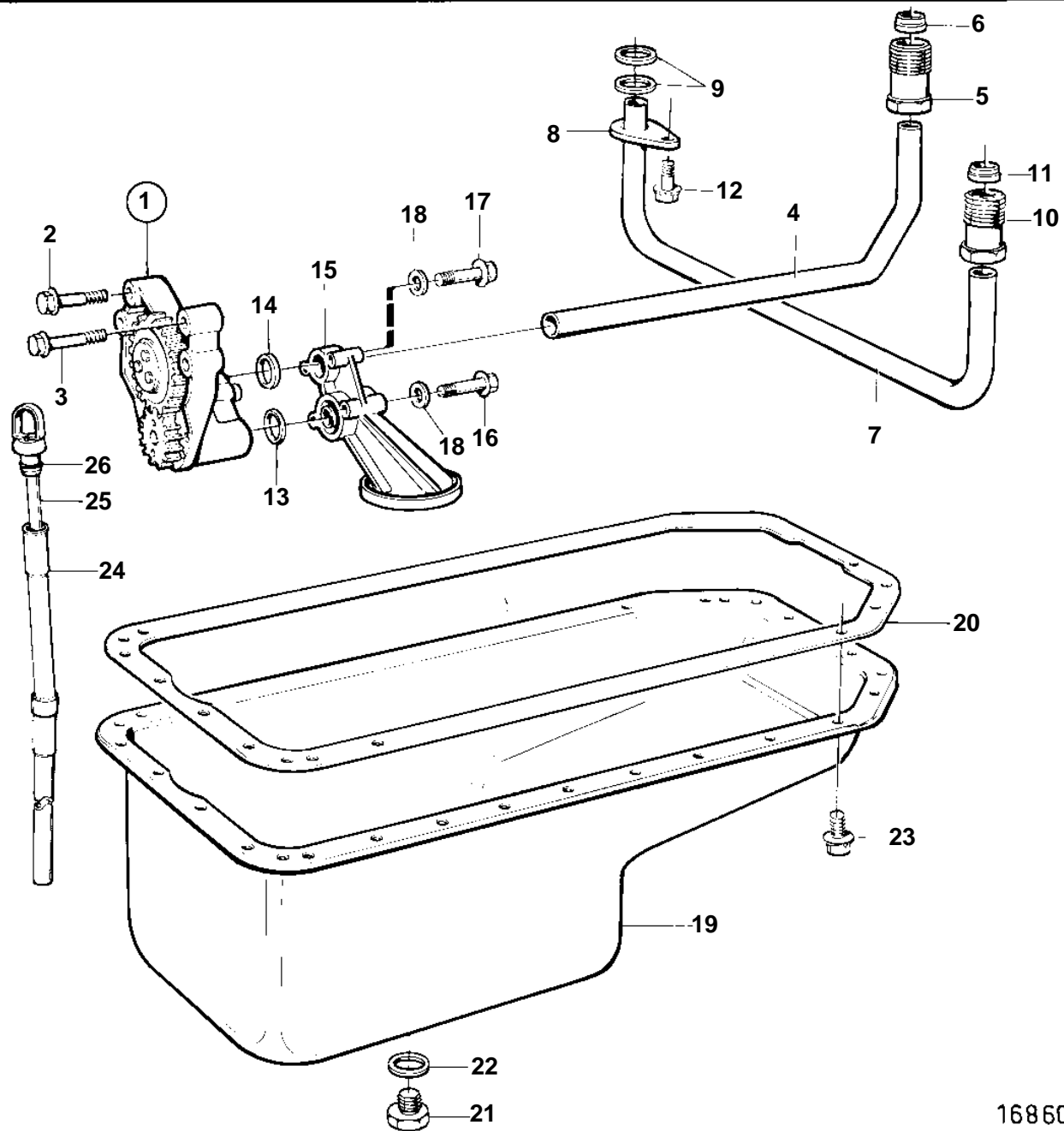
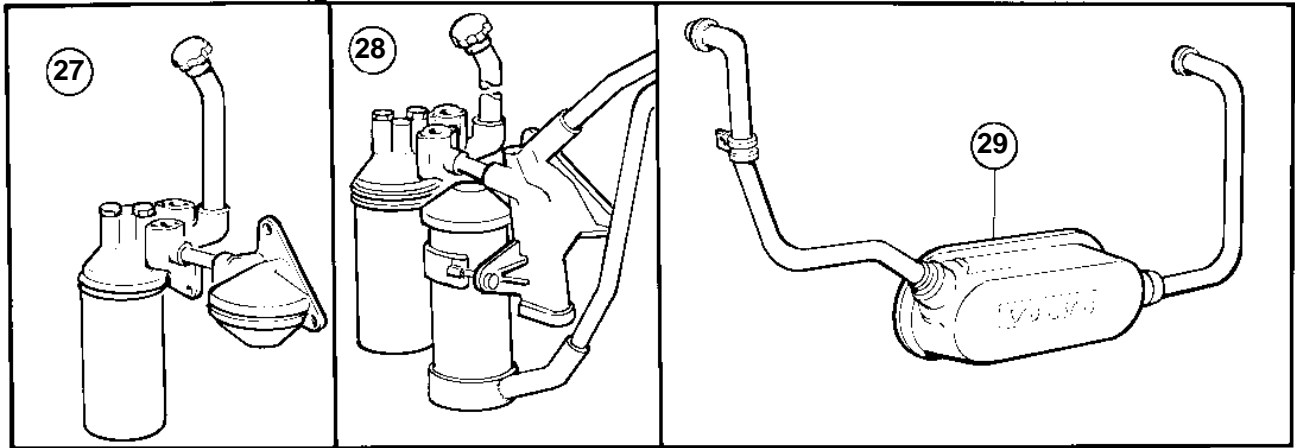


TWD610P



TWD610P

REF	PART NO.	QTY	DESCRIPTION	SEE SEC.	NOTES
1	420867	1	Oil pump		
				1536	
2	471513	4	Screw		M10x70mm
3	471734	2	Screw		M8x70mm
4	420993	1	Oil feed pipe		
5	471595	1	· Pressure pipe connec		
6	980786	1	· Ferrule		
7	420996	1	Oil feed pipe		
8	471746	1	· Clamp		
9	471956	2	· Sealing ring		
10	471595	1	· Pressure pipe connec		
11	980786	1	· Ferrule		
12	946440	1	Flange screw		
13	949659	1	O-ring		
14	471956	1	Sealing ring		
15	420725	1	Oil pump screen		
16	969225	2	Flange screw		L=120mm
17	965184	2	Screw		L=100mm
18	955894	4	Washer		
19	465622	1	Oil pan		
20	11030778	1	Gasket		
21	949175	1	Magnetic plug		
22	18813	1	Gasket		
23	946440	34	Flange screw		
24	848700	1	Tube		
25	863797	1	Oil dipstick		
26	925054	1	· O-ring		
27		1	Oil filter housing	1538	
28		1	Oil filter housing	3736	In combination with right side mounted oil cooler.
29		1	Oil cooler	1541	