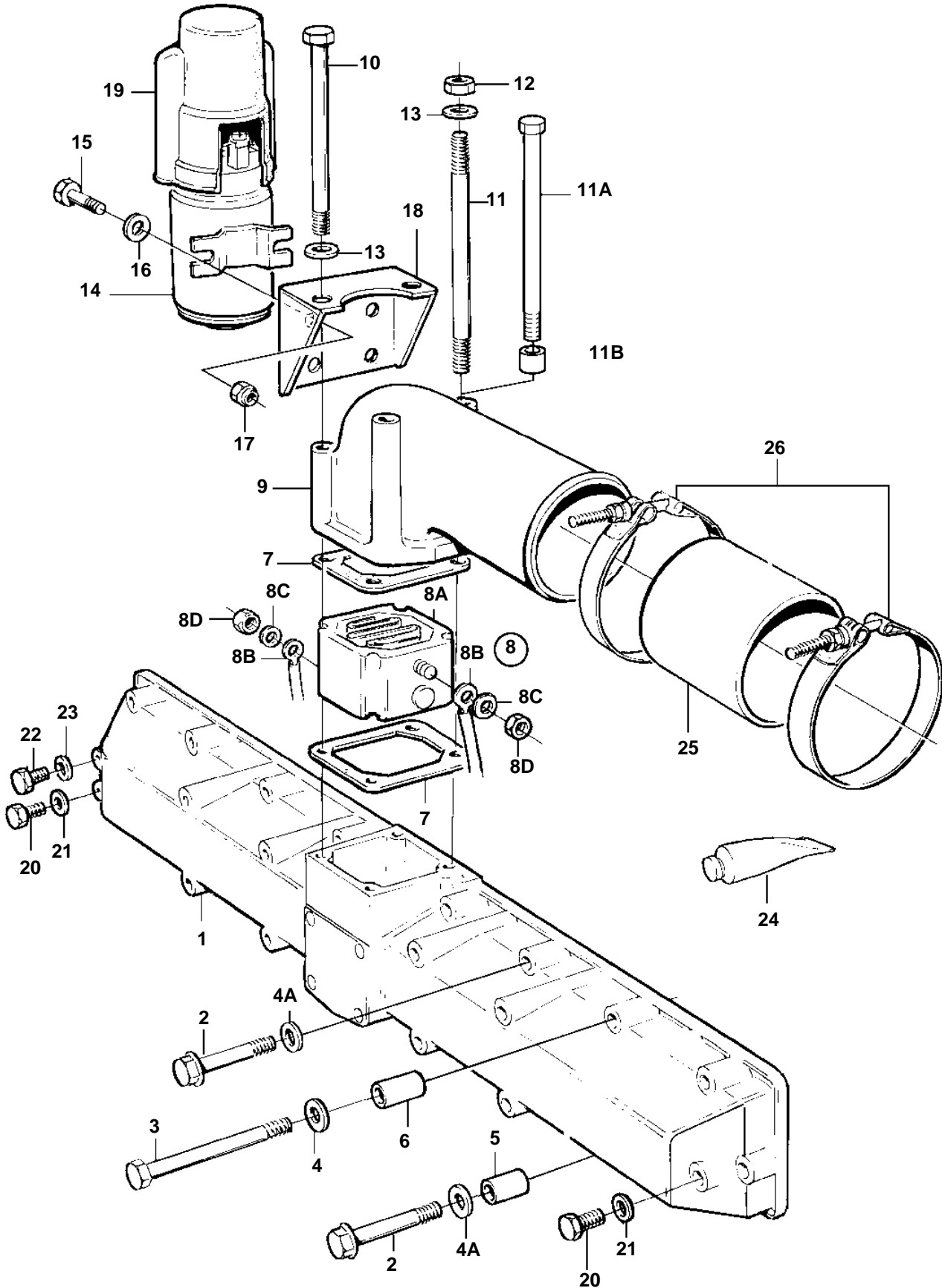


TAD730P



TAD730P

REF	PART NO.	QTY	DESCRIPTION	NOTES
1	471817	1	Inlet pipe	
2	965180	16	Flange screw	L=60mm
	965183	2	Flange screw, cable attachment	L=90mm
3	955310	2	Screw, air filter bracket	L=130mm
4	976944	2	Washer	(966674)
4A	941907	18	Spring washer	
5	848694	2	Spacer sleeve	L=33mm
6	848423	2	Sleeve	L = 63mm
7	471682	2	Gasket	
8	848959	1	Starter heater kit	
8A		1	· Starter element	
8B		2	· Cable kit	
8C	955894	2	· Washer	
8D	17624	2	· Nut	
9	865069	1	Connection pipe	
10	967825	2	Screw	
11	942283	2	Stud	ALT
11A	968303	2	Screw	ALT
11B	847150	2	Spacer sleeve	ALT
12	946330	2	Nut	
13	955894	2	Washer	TH=1,5mm
	120265	4	Washer	TH=2,5mm
14	873962	1	Relay	When replacing the relay, also install diod 873789., 24V 150A
15	969405	2	6 point socket screw	
16	940090	2	Washer	
17	949874	2	Lock nut	(946577)
18	843400	1	Attaching plate	
19	1581123	1	Cover	
20	960629	2	Plug	
21	11994	2	Gasket	
22	960628	1	Plug	
23	18665	1	Gasket	
24	1161231	1	Sealant	
25	865128	1	Hose	
26	865575	2	Hose clamp	