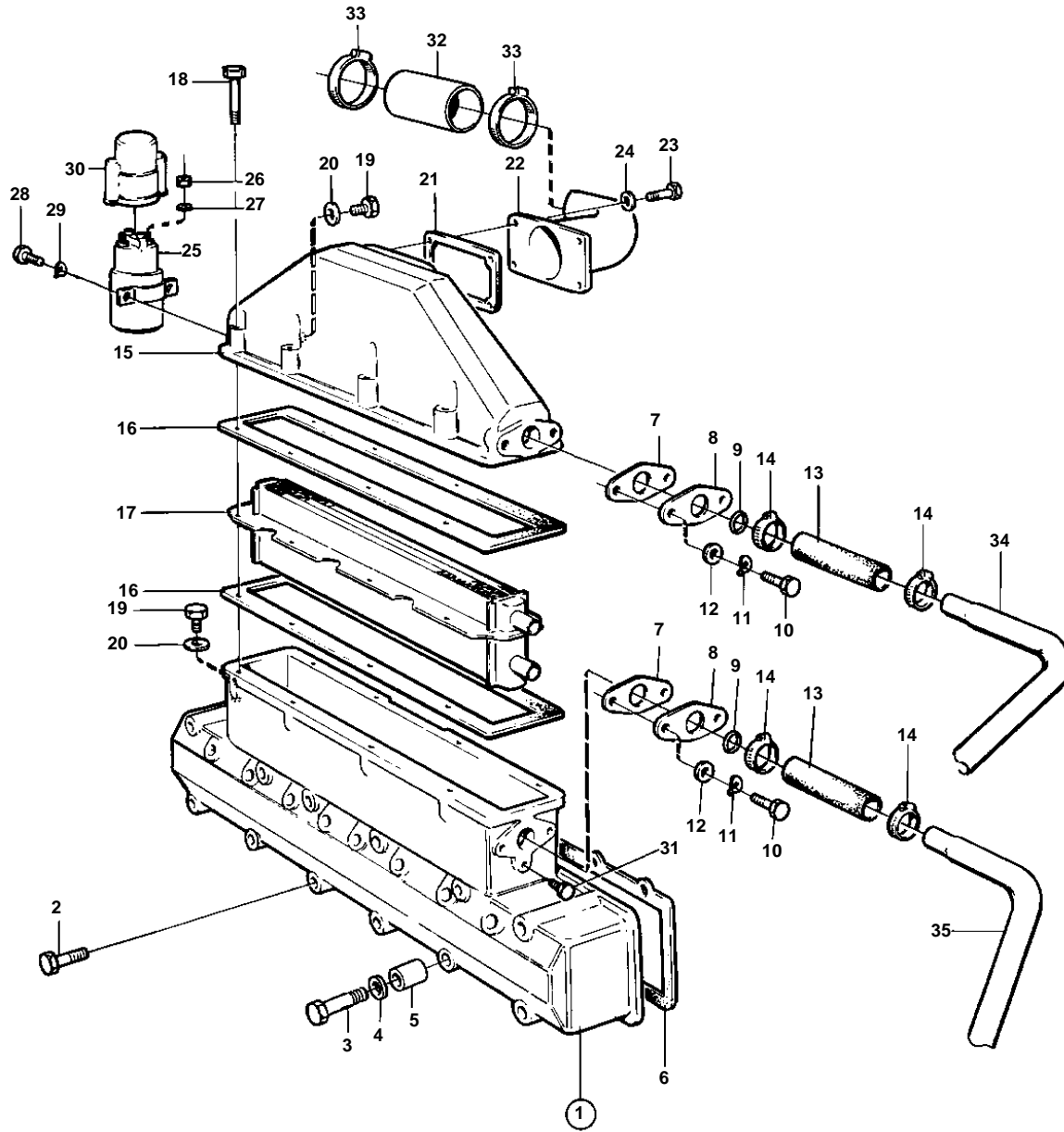


TWD610P



11340

TWD610P

REF	PART NO.	QTY	DESCRIPTION	SEE SEC.	NOTES
1		1	Inlet pipe		
				1389	
2	965183	9	Flange screw		L=90mm
	965184	3	Screw		L=100mm
3	955310	2	Screw		L=130mm
4	976944	2	Washer		
5	848229	1	Sleeve		L=31mm
	826652	1	Spacer sleeve		L=20mm
	845589	1	Spacer sleeve		L=8mm
6	424610	2	Gasket		
7	862619	2	Gasket		
8	846896	2	Flange		
9	925057	2	Rubber ring		
10	955273	4	Screw		
11	941906	4	Spring washer		
12	976943	4	Washer		
13	952969	2	Rubber hose		
14	943473	4	Hose clamp		
15	849429	1	Cover		
16	845515	2	Gasket		
17	863489	1	Insert		
18	965181	8	Screw		
19	940199	2	Screw		
20	957171	2	Gasket		
21	862620	1	Gasket		
22	846793	1	Connection pipe		
23	955273	4	Screw		
24	955892	4	Washer		
25	873962	1	Relay		24V 150A
	872242	1	Relay		12V
26	17624	2	· Nut		M8
27	955894	2	· Washer		
28	955244	2	· Screw		
29	941904	2	Spring washer		
30	1581123	1	Cover		
31	479979	1	Plug		
32		1	Hose	3862	
33	943479	2	Hose clamp		
34		1	Pipe, Oil cooler		
35		1	Pipe, water pump		