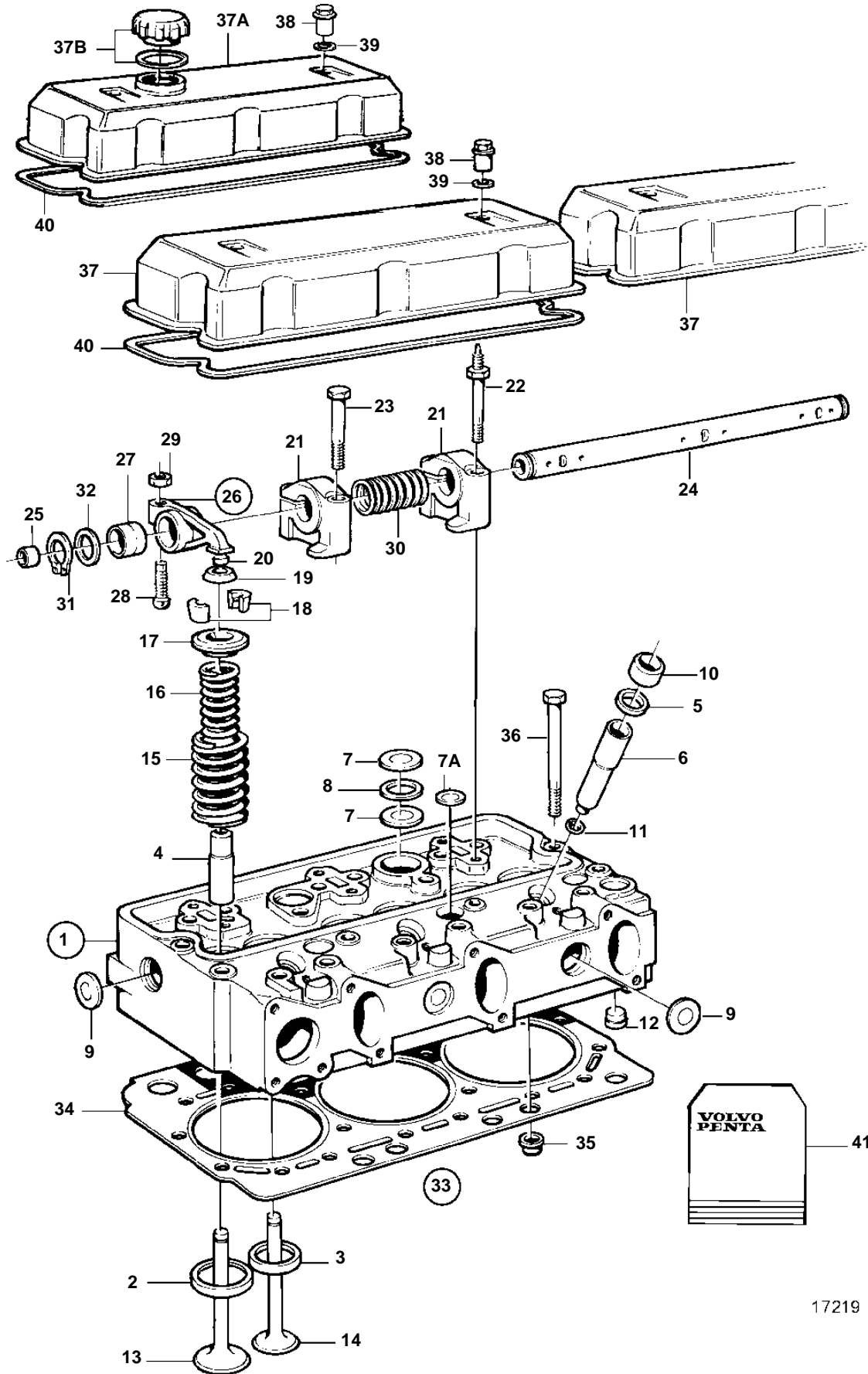


TAD730P



TAD730P

REF	PART NO.	QTY	DESCRIPTION	NOTES
1	864814	2	Cylinder head	E.U=3803310-6
	3803310	2	Cylinder head, exch, exch	E.U=3803310-6
2	864993	6	· Valve seat, intake	STD
	864983	6	· Valve seat, intake	O.S=0,20mm
3	864994	6	· Valve seat, exhaust	STD
	864982	6	· Valve seat, exhaust	O.S=0,20mm
4	466386	12	· Valve guide	
5	466405	6	· Rubber ring	Included in kit 276130.
6		6	· Spray sleeve	Included in kit 276130.
7	477026	8	· Expansion plug	
7A	477026	6	· Expansion plug	
8	947626	4	· Gasket	
9	477024	8	· Expansion plug	
10	466420	6	· Steel ring	Included in kit 276130.
11	466922	6	· O-ring	Included in kit 276130.
12	465420	10	· Nozzle	
13	864917	6	Inlet valve	
14	842080	6	Exhaust valve	
15	466384	12	Valve spring	
16	466383	12	Spring	
17	466382	12	Washer	
18	468305	24	Valve collet	
19	469456	12	Protecting ring	
20	478074	12	Valve cap	
21	477384	6	Bearing bracket	
22	471512	4	Stud	
23	471513	8	Screw	
24	471518	2	Rocker arm shaft	
25	946778	2	· Cap plug	
26	422063	12	Rocker arm	
27	422066	12	· Bushing	
28	422993	12	· Ball stud	(423058)
29	940175	12	· Nut	
30	421173	4	Spring	
31	914459	4	Lock ring	
32	941488	4	Washer	
33	276816	2	Gasket kit, cylinder head	SEE GROUP 99
34		2	· Gasket	
35	465784	12	· Sealing ring	D=26mm
	466421	16	· Sealing ring	D=19mm
	422413	2	· Sealing ring	D=14mm
36	471481	40	Screw	
37	471426	2	Valve cover	STD
	471426	1	Valve cover	ALT
37A	471813	1	Valve cover	ALT
37B	420178	1	Cover	ALT
38	465961	4	Nut	
39	471856	4	Sealing ring	
40	471520	2	Gasket	
41	276130	6	Copper sleeve kit, fuel injector	SEE GROUP 99