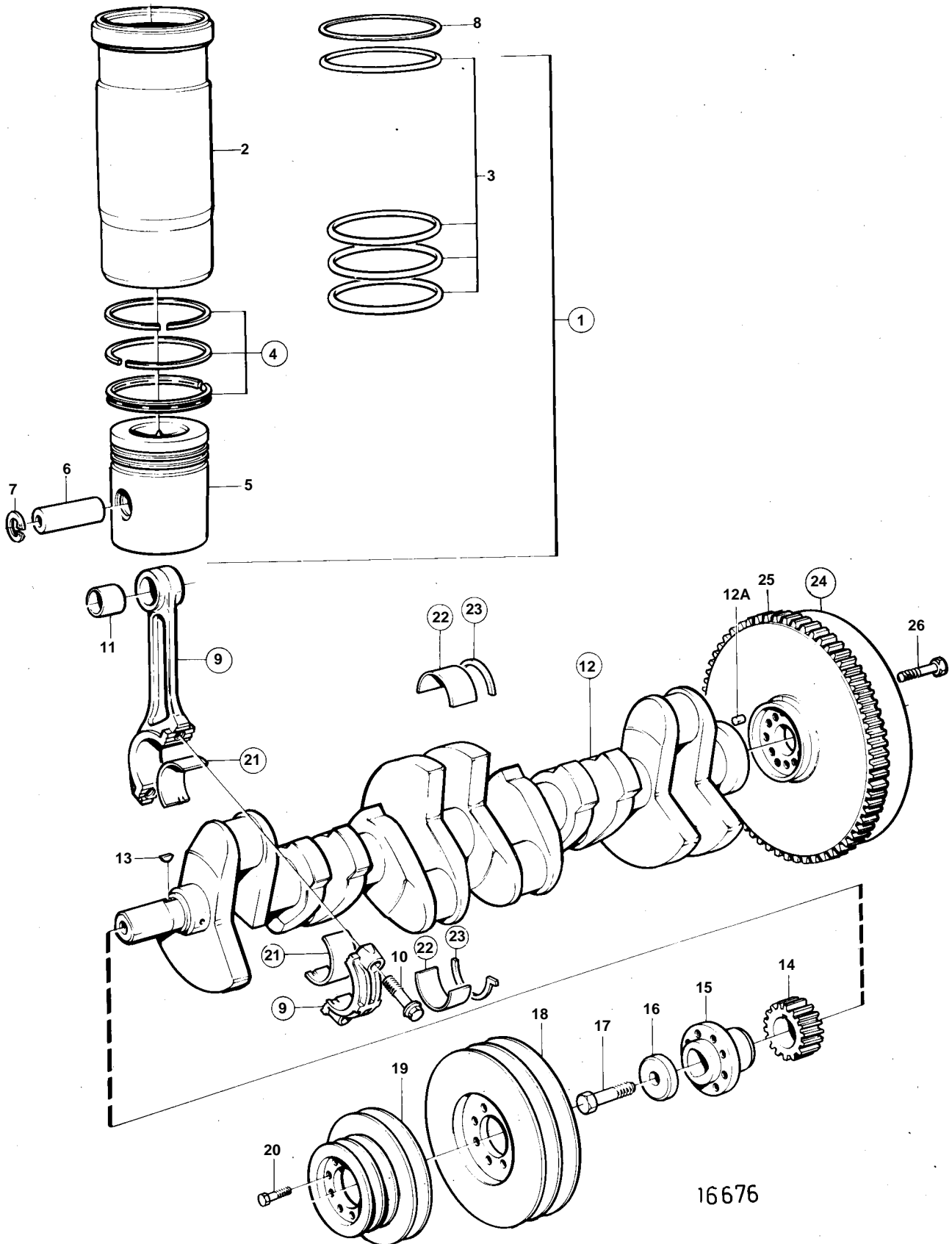


TAD730P



16676

## TAD730P

REF	PART NO.	QTY	DESCRIPTION	SEE SEC.	NOTES
1	876548	6	Cylinder liner kit		
2		6	· Cylinder liner		
3	271159	6	· Sealing ring kit		
4	876542	6	· Piston ring kit		
5		6	· Piston		
6	477927	6	· Piston pin		STD D
7	914525	12	· Lock ring		
8	466878	X	Shim		TH=0,12mm, Use only when repairing.
	466114	X	Shim		TH=0,20mm, Use only when repairing.
	466183	X	Shim		Use only when repairing., TH = 0,30mm
	466184	X	Shim		Use only when repairing., TH=0,40mm
9	864936	6	Connecting rod		(471523)
10	465815	12	· Screw		
11	471364	6	· Bushing		
12	477116	1	Crankshaft, 6-hole		SN-2071018953
	477870	1	Crankshaft, 9-hole		SN2071018954-
12A	950677	1	· Pin		
13	422253	1	· Woodruff key		
14	471528	1	Gear		
			· Bulletin 45-01	45-01-EN	Timing Gears, 71, 100, 121
15	465779	1	Hub		
16	420124	1	Washer		
17	470366	1	Screw		
18	3825339	1	Pulley		(421515)
19	4772117	1	Pulley		3 GROOVE
20	471529	8	Screw		
21	270115	6	Big end bearing kit		STD
	270116	6	Big end bearing kit		U.S=0,25mm
	270117	6	Big end bearing kit		UNDER SIZE=0,50mm
	270118	6	Big end bearing kit		U.S=0,76mm
	270119	6	Big end bearing kit		U.S=1,01mm
	270120	6	Big end bearing kit		U.S=1,27mm
22	270432	7	Main bearing kit		STD
	270433	7	Main bearing kit		U.S=0,25mm
	270434	7	Main bearing kit		UNDER SIZE=0,50mm
		7	Main bearing kit		U.S=0,76mm
	270436	7	Main bearing kit		U.S=1,01mm
	270437	7	Main bearing kit		U.S=1,27mm
23	276754	1	Thrust washer kit		STD
	276755	1	Thrust washer kit		O.S=0,10mm
	276756	1	Thrust washer kit		O.S=0,20mm
	276757	1	Thrust washer kit		O.S=0,30mm
24	864260	1	Flywheel		SN-2071018953
	3825732	1	Flywheel		SN2071018954-
25	420314	1	· Gear ring		(420067)
26	465825	6	Screw		FOR 864260
	465825	9	Screw		FOR 3825732