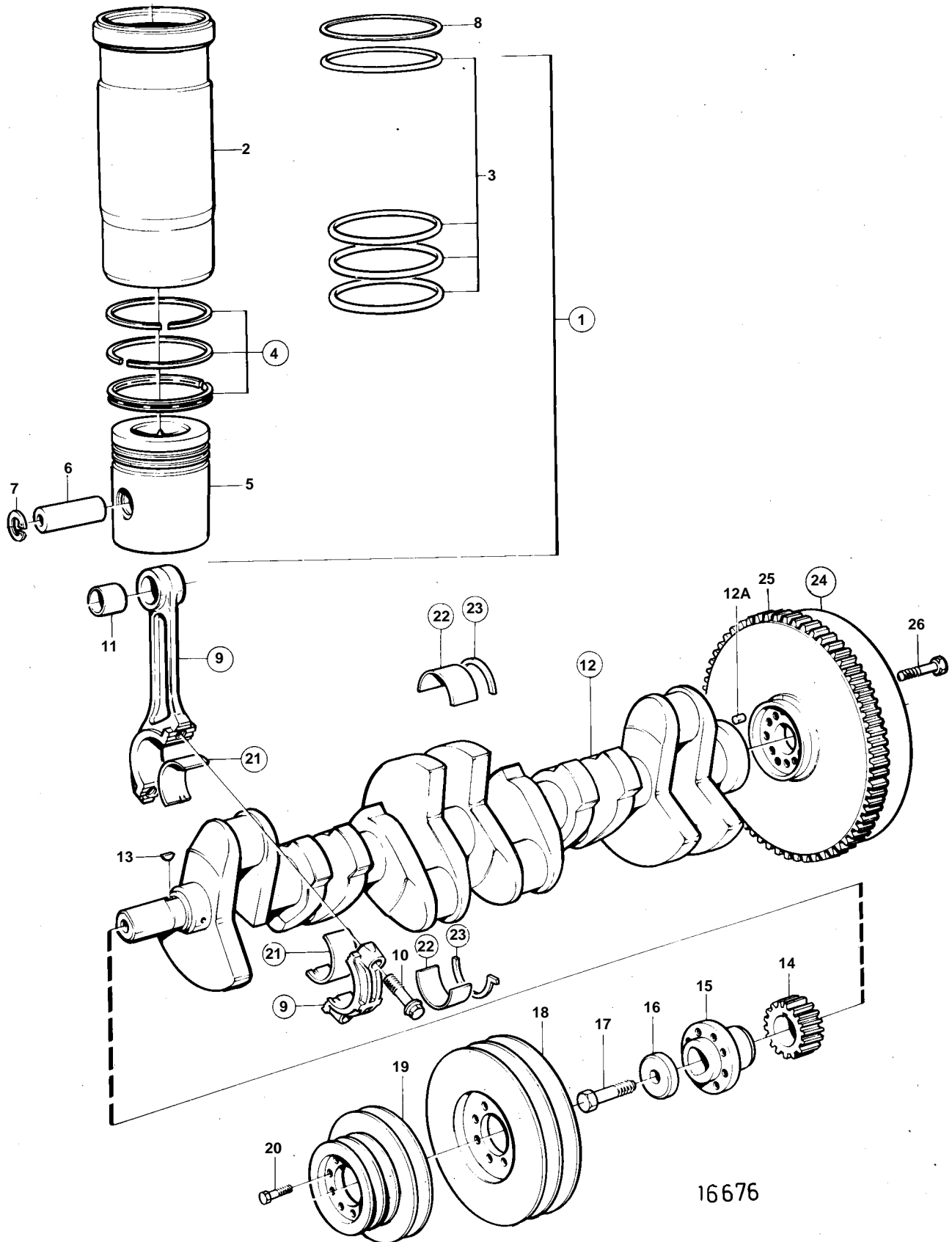


TWD610P



TWD610P

REF	PART NO.	QTY	DESCRIPTION	SEE SEC.	NOTES
1	876199	6	Cylinder liner kit		
2		6	· Cylinder liner		
3	271161	6	· Sealing ring kit		
4	270713	6	· Piston ring kit		
5		6	· Piston		
6	420988	6	· Piston pin		STD
7	914523	12	· Lock ring		
8	465394	X	Shim		Use only when repairing., TH=0,20mm
	465395	X	Shim		TH = 0,30mm, Use only when repairing.
	465396	X	Shim		Use only when repairing., TH = 0,50mm
9	465812	6	Connecting rod		
10	465815	12	· Screw		
11	465816	6	· Bushing		
12	420662	1	Crankshaft, 6-hole		SN-2061106089
	8192122	1	Crankshaft, 9-hole		SN2061106090-
12A	950677	1	· Pin		
13	422253	1	· Woodruff key		
14	471528	1	Gear		
			· Bulletin 45-01	45-01-EN	Timing Gears, 71, 100, 121
15	465779	1	Hub		
16	420124	1	Washer		
17	470366	1	Screw		
18	3825339	1	Pulley		
19	4772117	1	Pulley		3 GROOVE
20	471529	8	Screw		
21	270139	6	Big end bearing kit		STD D
			· Bulletin 45-30	45-30-EN	New connecting rod for TAMD60B
21	270140	6	Big end bearing kit		U.S=0,25mm
	270141	6	Big end bearing kit		UNDER SIZE=0,50mm
	270142	6	Big end bearing kit		U.S=0,76mm
	270143	6	Big end bearing kit		U.S=1,01mm
22	271230	7	Main bearing kit		STD D
	271231	7	Main bearing kit		U.S=0,25mm
	271232	7	Main bearing kit		UNDER SIZE=0,50mm
	271233	7	Main bearing kit		U.S=0,76mm
	271234	7	Main bearing kit		U.S=1,01mm
	271235	7	Main bearing kit		U.S=1,27mm
23	276751	1	Thrust washer kit		STD D
	276752	1	Thrust washer kit		O.S=0,10mm
	276753	1	Thrust washer kit		O.S=0,20mm
24	864260	1	Flywheel		SN-2061106089
	3825732	1	Flywheel		SN2061106090-
25	420314	1	· Gear ring		(420067)
26	465825	6	Screw		FOR 864260
	465825	9	Screw		FOR 3825732