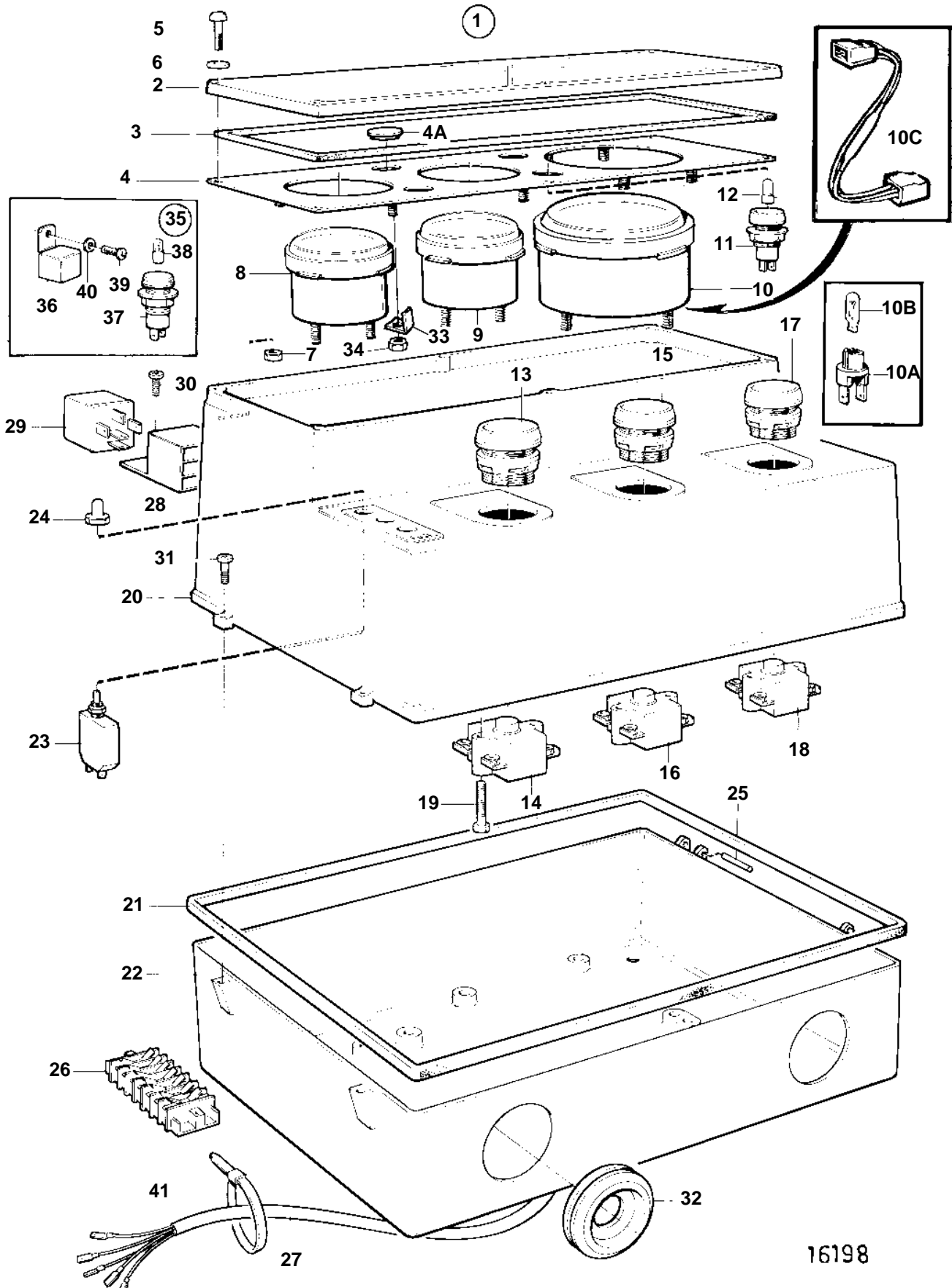


TWD610P, TWD710P, TAD730P



TWD610P, TWD710P, TAD730P

REF	PART NO.	QTY	DESCRIPTION	NOTES
1		1	Instrument panel	
2	873654	1	· Cover glass	
3	849885	1	· Sealing strip	
4	873614	1	· Instrument plate	
4A		3	· Protecting plug	
5	849963	6	· Screw	
6	862501	6	· Gasket	
7	965483	6	· Nut	
8	873625	1	· Instrument, oil-pressure	24V
9	873624	1	· Instrument, temperature	24V
10	873998	1	· Rev counter kit, hour/tachometer	12V-24V, Used without diod cable 873695
10A	863945	1	· · Bulb socket	FOR 873625,873624,873664
10B	943638	1	· · Bulb	FOR 873625,873624,873664
10C	873695	1	· Diode cable, tachometer	
11	849966	1	· Bulb socket	Warning lamp, charging.
12	182034	1	· Bulb	
13	863102	1	· Push button	RED
14	873791	1	· Switch	GREEN-RED (863115)
15	3817578	1	· Switch	BLACK (863104)
16	873791	1	· Switch	GREEN-RED (863115)
17	863103	1	· Push button	GREEN
18	873792	1	· Switch	GREEN (863116)
19	956063	6	· Screw	
20	849838	1	· Cover	
21	849840	1	· Sealing strip	
22	849839	1	· Box	
23	968821	1	· Fuse	16A
	966689	1	· Fuse	8A
24	862006	2	· Protective cap	
25	951967	2	· Spring pin	
26	849992	1	· Terminal block	5-POLE
	849993	2	· Terminal block	7-POLE
27	873651	1	· Wiring harness	
28	977184	3	· · Tab housing	(946556)
29	20374662	2	· Relay	(9518230)
30	956074	3	· Screw	
31	862281	2	· Screw	
32	943920	1	· Protecting plug	
33		8	· Brace	
34	963103	8	· Lock nut	
35			Alarm separator	
36	863724	1	· Alarm separator	
37	863721	1	· Bulb socket	Warning lamp, low coolant level.
	863722	1	· Bulb socket	Warning lamp, low oil pressure.
	863723	1	· Bulb socket	Warning lamp, high coolant temperature.
38	182034	3	· Bulb	
39		1	· Cross recessed screw	
40	955892	1	· Washer	
41	948211	X	Strip clamp	