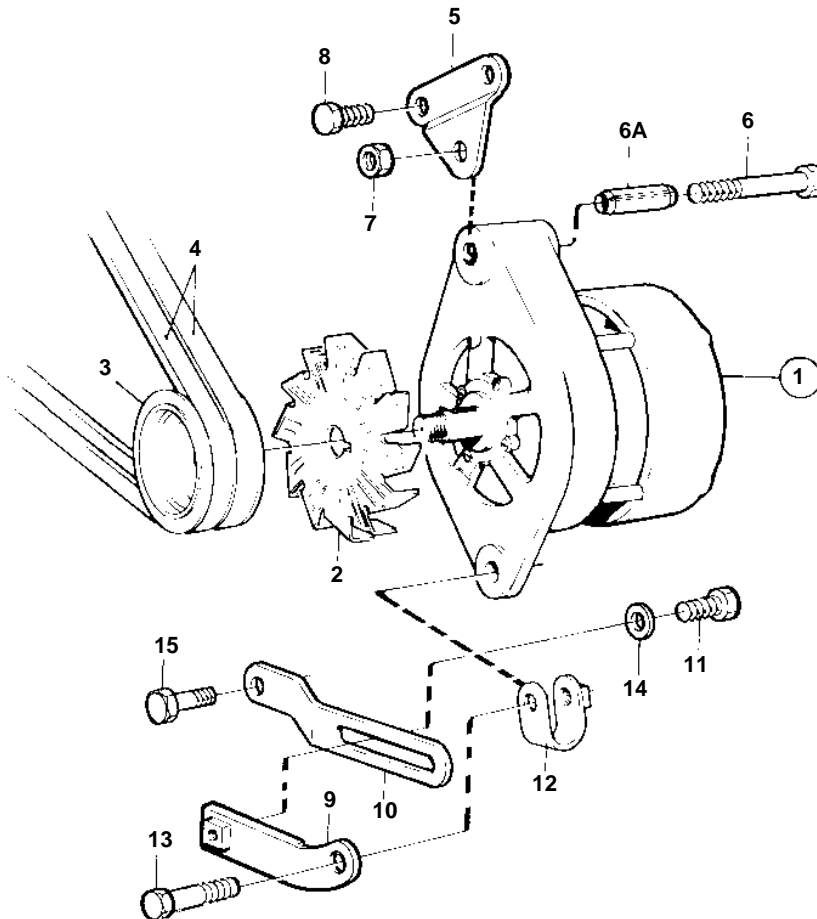
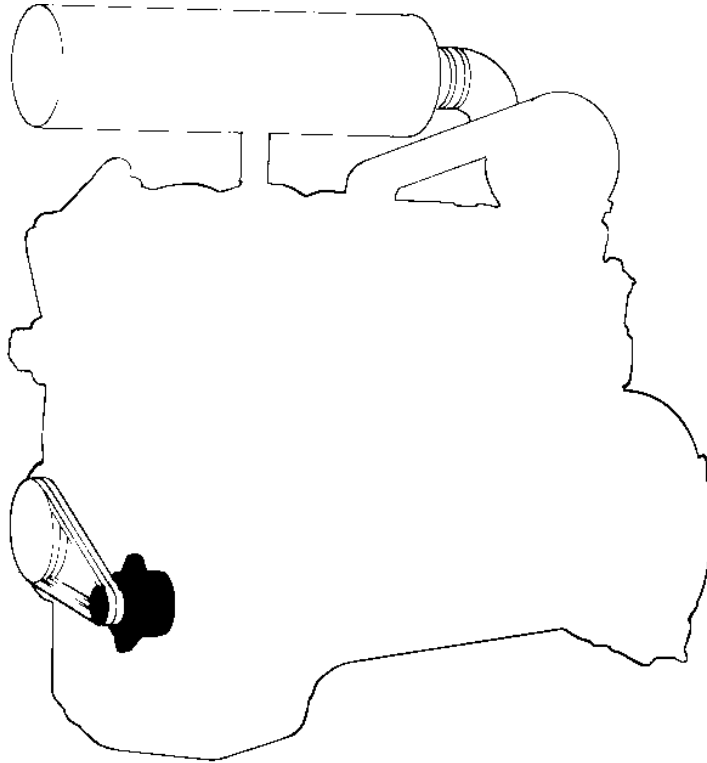


TWD610P



10474

TWD610P

REF	PART NO.	QTY	DESCRIPTION	SEE SEC.	NOTES
1	858838	1	Alternator		14V 50A REPL BY 872018
				1464	
	872018	1	Alternator		14V 50A REPL BY 872235
				322	
	872235	1	Alternator		14V 60A
	3803260	1	Alternator,exch, exch		14V 60A
				448	
2	847707	1	· Fan		
3	822573	1	Pulley		
4	976487	1	V-belt kit		L=2x1150mm
5		1	Bracket		
6	847925	1	Screw		
6A	1610144	1	Pin		
7	971089	1	Lock nut		
8	947760	2	Flange screw		
9	847956	1	Tensioner		
10	847957	1	Tensioner		
11	946173	1	Flange screw		
12	466734	1	Tensioning eyelet		
13	947760	1	Flange screw		
14	191172	1	Washer		
15	946173	1	Flange screw		