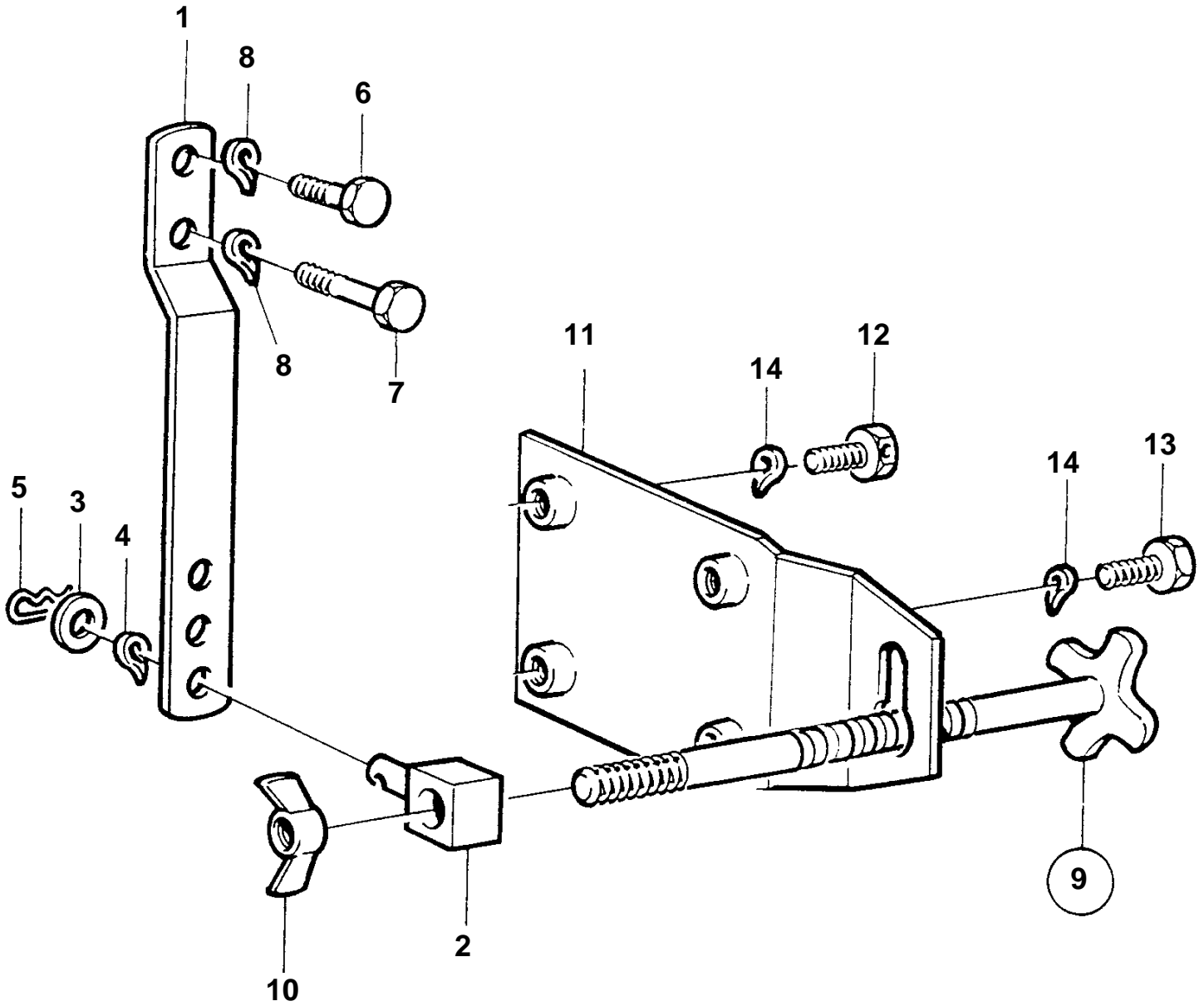


TWD610P, TWD710P, TAD730P



9866

TWD610P, TWD710P, TAD730P

REF	PART NO.	QTY	DESCRIPTION	NOTES
1	823695	1	Control arm	
2	848236	1	Cube	
3	955892	1	Washer	
4	949607	1	Spring washer	
5	664822	1	Lock spring	
6	955268	1	Screw	L=10mm
7	955272	1	Screw	L=20mm
8	949607	2	Spring washer	
9	848226	1	Adjusting screw	
10	192354	1	Wing nut	
11	863640	1	Bracket	
12	844540	2	Lock screw	For lead-seal., L=25mm
13	955274	2	Screw	L=25mm
14	949607	4	Spring washer	