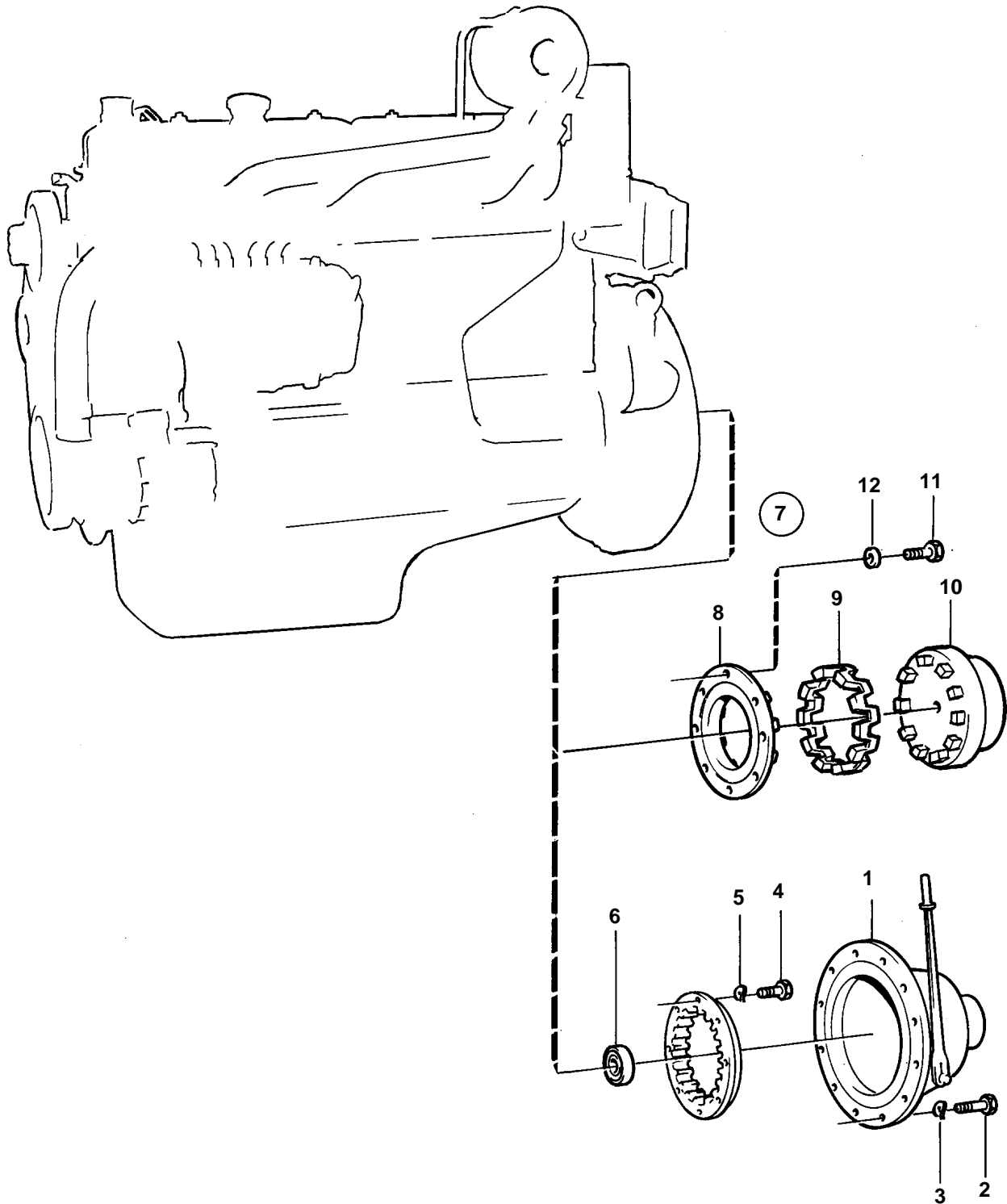


TWD610P



## TWD610P

| REF | PART NO. | QTY | DESCRIPTION      | SEE SEC. | NOTES                               |
|-----|----------|-----|------------------|----------|-------------------------------------|
| 1   | 862735   | 1   | Power take-off   |          | 11 1/2"-AP111 SINGLE PTO SER.62596. |
|     |          |     |                  | 1472     |                                     |
|     |          | 1   | Power take-off   |          | 11 1/2"-AP211 twin PTO SER.62597.   |
|     |          |     |                  | 1469     |                                     |
| 2   | 940115   | 12  | Screw            |          | 11 1/2"-AP111 SINGLE PTO SER.62596. |
|     | 955535   | 12  | Screw            |          | 11 1/2"-AP211 twin PTO SER.62597.   |
| 3   | 942336   | 12  | Spring washer    |          |                                     |
| 4   | 940162   | 8   | Screw            |          | 11 1/2"-AP111 SINGLE PTO SER.62596. |
|     | 955539   | 8   | Screw            |          | 11 1/2"-AP211 twin PTO SER.62597.   |
| 5   | 942336   | 8   | Spring washer    |          |                                     |
| 6   | 866412   | 1   | Ball bearing     |          | (849218)                            |
| 7   | 845615   | 1   | Clutch flange    |          |                                     |
| 8   |          | 1   | · Clutch flange  |          |                                     |
| 9   | 845613   | 1   | · Rubber element |          |                                     |
| 10  | 845612   | 1   | Clutch half      |          |                                     |
| 11  | 960691   | 8   | Screw            |          |                                     |
| 12  | 949869   | 8   | Washer           |          |                                     |