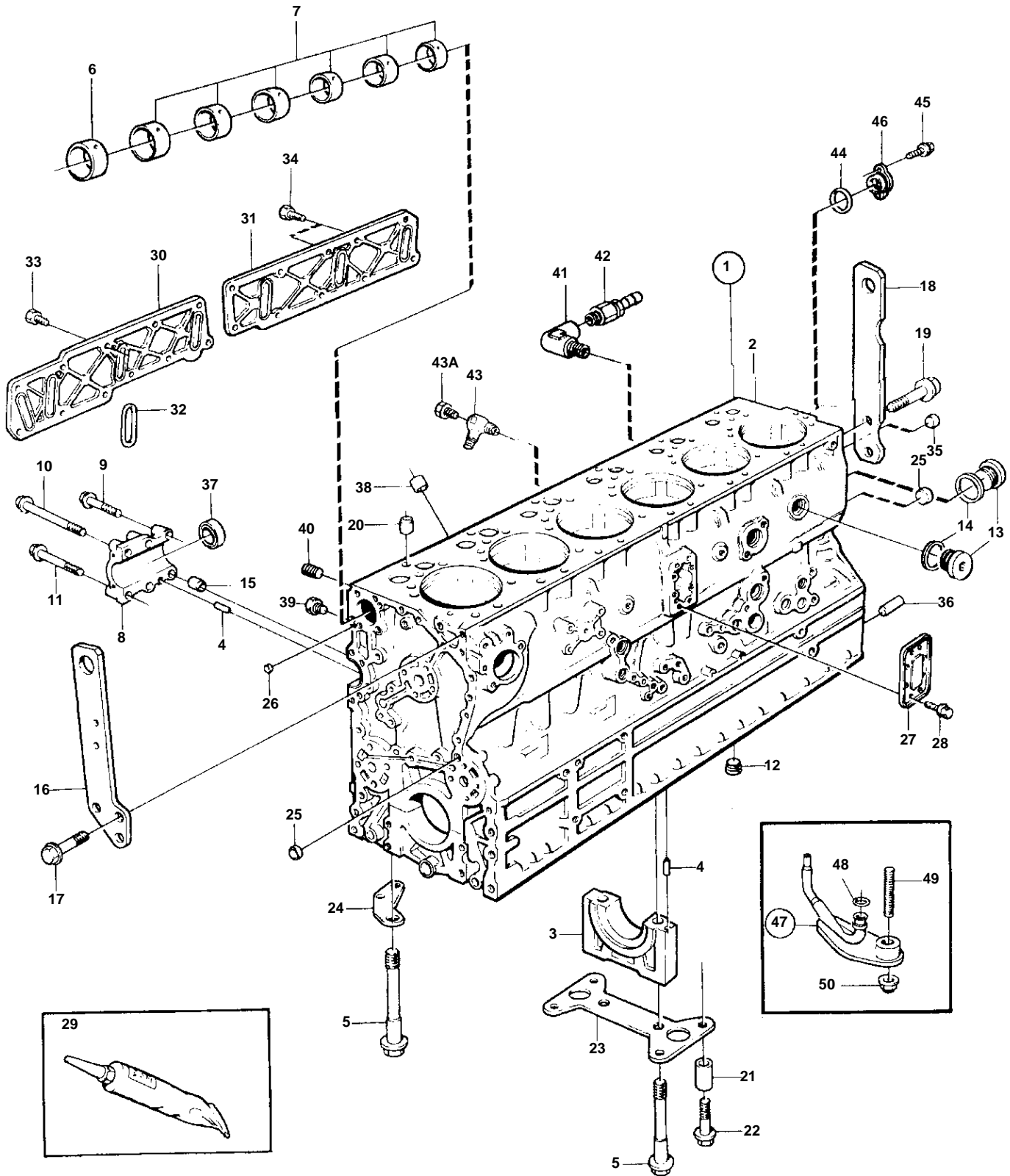


TAD1630V, TWD1630V



16867

TAD1630V, TWD1630V

REF	PART NO.	QTY	DESCRIPTION	NOTES
1	1543000	1	Cylinder block	
2		1	· Cylinder block	
3		7	· Main bearing cap	
4	422426	8	· Pin	
5	20581443	14	· Flange screw	(1543412)
6	1556514	1	· Bushing	
7	1556515	6	· Bushing	
8	1543491	1	· Cap	
9	965186	4	· Flange screw	L=50mm
10	965189	1	· Flange screw	L=90mm
11	965188	1	· Screw	L=70mm
12	952079	1	· Plug	
13	467367	4	· Plug	
14	469328	4	· Gasket	
15	1543693	1	· Guide sleeve	
16		1	Lift ironfront	
17	965191	3	Screw	
18		1	Lift ironrear	
19	968436	2	Flange screw	
20	1543693	6	Guide sleeve	
21	1543787	28	Spacer sleeve	
22	965192	28	Flange screw	
23	1556797	5	Stiffening plate	
24	1543589	4	Stiffening plate	
25	955083	2	Cap plug	D=14,5mm
26	967853	1	Cap plug	D=10,5mm
27	1543593	1	Cover	
28	967949	8	Screw	(965175)
29	1161231	X	Sealant	304ml
30	1543486	1	Cover plate	
31	1543488	1	Cover plate, non crankh vent outlet	
	1556289	1	Cover plate, with crankh vent outlet	
32	469606	7	Sealing ring	
33	945444	15	Flange screw	M8x25mm
	946470	1	Flange screw	M8x35mm, FOR 1543488
	965180	3	Flange screw, fuel filter bracket	M8x60mm
		2	Flange screwcrankcase vent.	SEE GROUP 25
34	946752	2	Flange screw	M10x35mm
35	946778	1	Cap plug	D=17,5mm
36	191171	2	Pin, flywheel cover	
37	1546221	1	Sealing ring	
38	417588	1	Guide sleeve, fuel inj. pump	
39	479979	1	Plug, 1/8-NPTF	
40	968145	1	Plug, 3/8-NPTF	
41	479954	1	Nipple	(3826916)
42	947893	1	Drain cock	
43	942078	1	T-nipple, oil pipe-injection pump	
43A	479979	1	Plug	
44	968971	1	O-ring	
45	946173	2	Flange screw	
46	1542242	1	Cover	
47	1556430	6	Jet, piston cooling	
48	955981	6	· O-ring	
49	1556434	6	Stud	
50	948645	6	Lock nut	