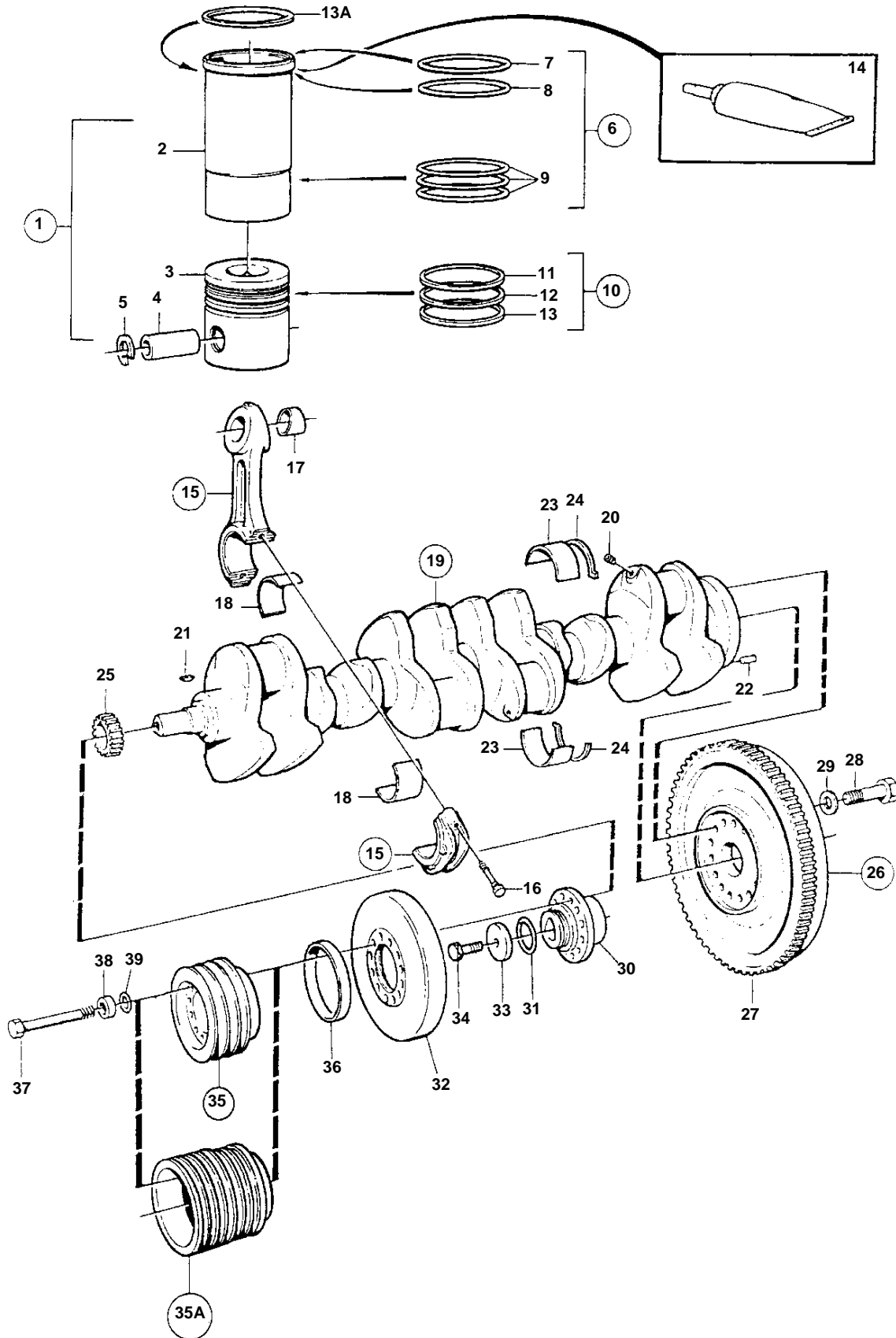


TAD1630V, TWD1630V



16874

TAD1630V, TWD1630V

REF	PART NO.	QTY	DESCRIPTION	SEE SEC.	NOTES
1	3826320	6	Cylinder liner kit Bulletin 47-05	47-05-EN	REPL BY 3830285 New Piston & Piston Rings
1	3830285	6	Cylinder liner kit		
2		6	· Cylinder liner		
3		6	· Piston		
4	1556939	6	· Piston pin		(1556401)
5	914532	12	· Snap ring		
6	270935	6	· Sealing ring kit		
7	1543507	6	· · Sealing ring		
8		6	· · Sealing ring		
9		18	· · Sealing ring		
10	3837146	6	· Piston ring kit		(876831)
11		6	· · Compression ring		
12		6	· · Compression ring		
13		6	· · Oil scraper ring		
13A	1548125	X	Shim		TH=0,20mm. Shims to adjust the cylinder liner level.
	1548126	X	Shim		TH = 0,30mm. Shims to adjust the cylinder liner level.
	1548127	X	Shim		TH = 0,50mm. Shims to adjust the cylinder liner level.
14	1161231	X	Sealant		304ml
	1161277	X	Sealant		10g
15	1556319	6	Connecting rod		
16	1543035	12	· Screw		
17	1556321	6	· Bushing		
18	270796	6	Big end bearing kit		STD D
	270797	6	Big end bearing kit		U.S=0,25mm
	270798	6	Big end bearing kit		U.S=0,51mm
	270799	6	Big end bearing kit		U.S=0,76mm
19	863792	1	Crankshaft		
20	978130	6	· Plug		
21	422253	1	· Woodruff key		
22	950645	1	· Pin		
23	270792	7	Main bearing kit		STD D
	270793	7	Main bearing kit		U.S=0,25mm
	270794	7	Main bearing kit		U.S=0,51mm
	270795	7	Main bearing kit		U.S=0,76mm
24	270929	1	Thrust washer kit		STD D
	270930	1	Thrust washer kit		O.S=0,10mm
	270931	1	Thrust washer kit		O.S=0,20mm
	270932	1	Thrust washer kit		0,30mm OVER SIZE
25	1543444	1	Gear		
26	889617	1	Flywheel		(3825678)
27	8193939	1	· Gear ring		
28	849912	14	Screw		
29	1543563	14	Washer		
30	848851	1	Hub		
31	945512	1	O-ring		
32	1543834	1	Vibration damper		
33	422124	1	Washer		
34	862504	1	Screw		
35	3825893	1	V-belt pulley		3-GROOVES
35A	862031	1	V-belt pulley		7-GROOVE
36	3829683	1	· Wear ring		
37	970960	12	Screw		
38	4956010	12	Washer		
39	955974	12	O-ring		