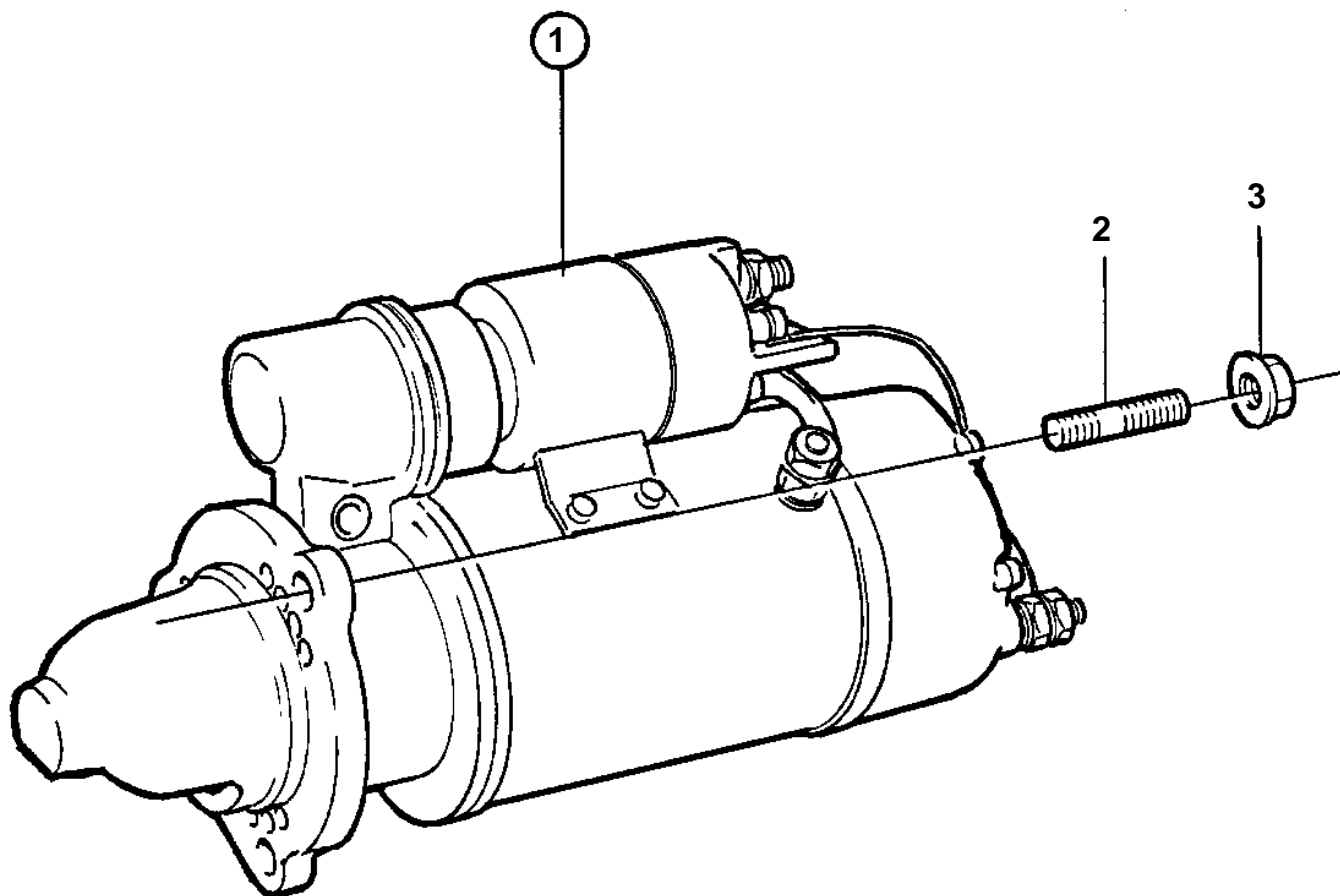


TAD1630V, TWD1630V



TAD1630V, TWD1630V

| REF | PART NO. | QTY | DESCRIPTION | SEE SEC. | NOTES |
|-----|----------|-----|---------------------|----------|---------------------------|
| 1 | 874304 | 1 | Starter motor | | 24V, E.U=3803164,(872364) |
| | 3803550 | 1 | Starter motor, exch | | Exchange unit |
| | | | | 470 | |
| 2 | 953098 | 3 | Stud | | |
| 3 | 971096 | 3 | Nut | | |