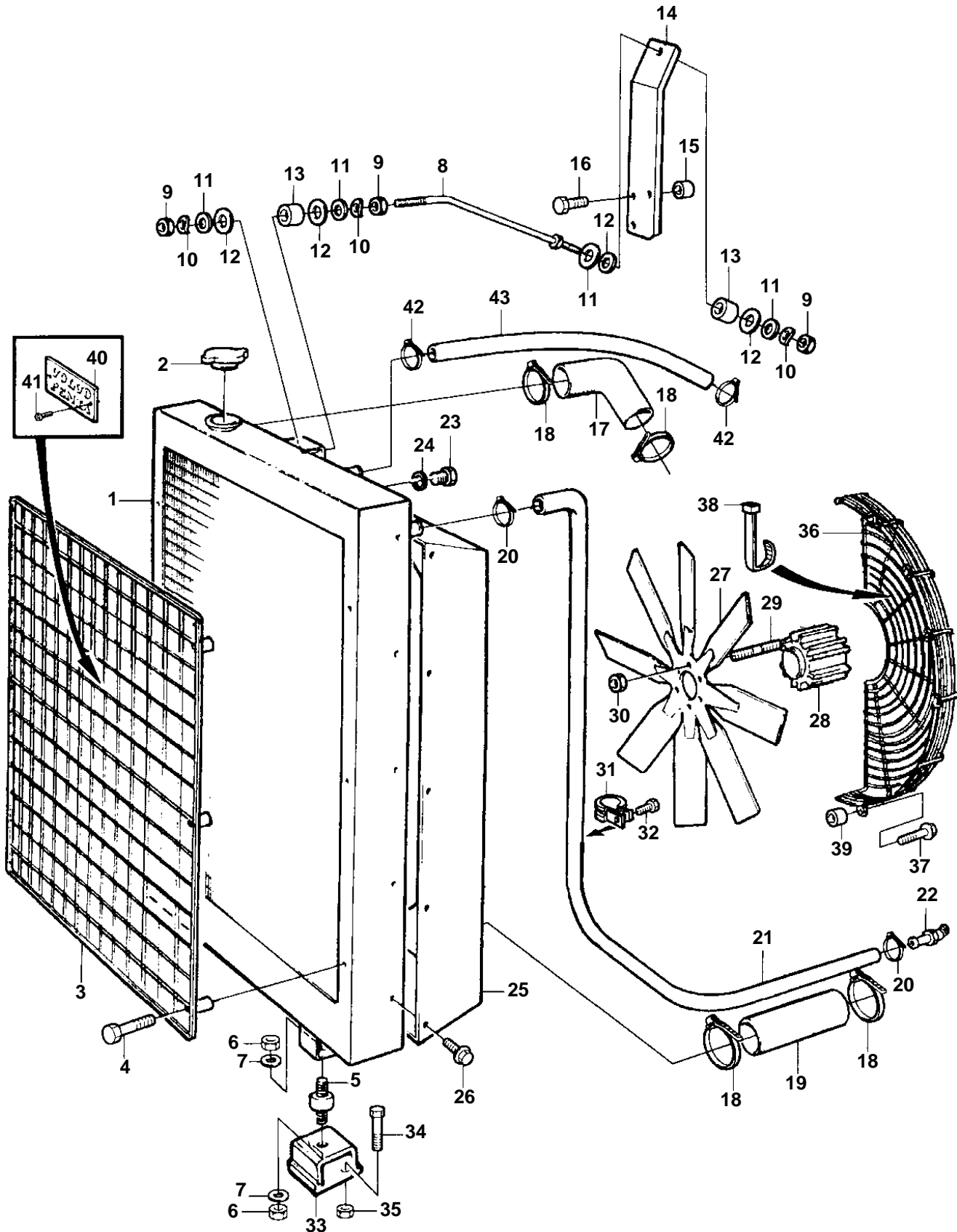


TWD1630V



17058

TWD1630V

REF	PART NO.	QTY	DESCRIPTION	NOTES
1	3829278	1	Radiator	(864893)
2	866095	1	Pressure cap	
3	862959	1	Radiator protector	
4	947760	6	Flange screw	
5	849170	2	Rubber cushion	
6	955850	4	Nut	
7	940280	4	Spring washer	
8	862159	1	Radiator stay	
9	955793	3	Nut	
10	941912	3	Spring washer	
11	191940	4	Washer	
12	866857	4	Rubber bushing	
13	252202	2	Bushing	
14	862161	1	Bracket	
15	847239	3	Sleeve	
16	865218	3	Bracket	
17	862102	1	Radiator hose	
18	943480	4	Clamp	
19	849738	1	Radiator hose	
20	943475	2	Hose clamp	
21	944386	X	Hose	L=1300mm
22	942649	1	Nipple	
23	947660	1	Plug	
24	11994	1	Gasket	
25	3825554	1	Fan shroud	Repl by 1pcs 3828012, 1pcs 3827612 and 2pcs 946444.
26	966807	12	Screw	
27	848925	1	Fan, suction type	D=890mm
	3828963	1	Fan, suction type	Plastic fan
	848924	1	Fan, pusher type	D=890mm
	3828964	1	Fan, pusher type	Plastic fan
28	3828712	1	Fan hub	(862495)
	3828711	1	Fan hub	For plastic fan
29	969199	6	Stud	
30	971095	6	Nut	
31	952637	1	Clamp	
32	945970	1	Screw	
33	3826264	2	Bracket	
34	946329	4	Flange screw	
35	971098	4	Flange lock nut	
36	3825490	2	Fan protector	
37	965180	12	Flange screw	
38	948211	8	Strip clamp	
39	807425	12	Sleeve	(836838)
40	846118	1	Emblem	
41	941651	2	Screw	
42	943470	2	Hose clamp	
43	943366	X	Hose	(13776)