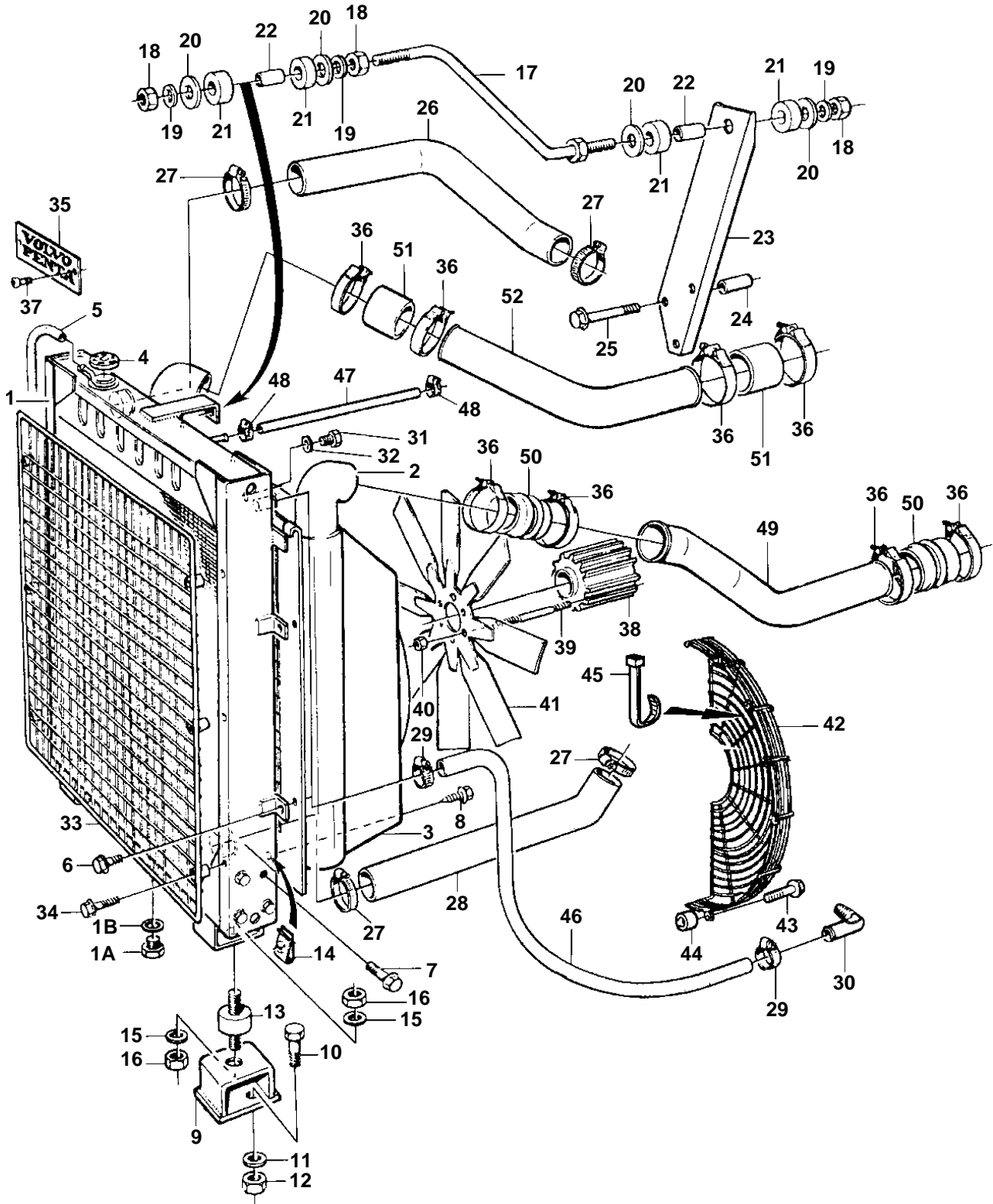


TAD1630V



17059

TAD1630V

REF	PART NO.	QTY	DESCRIPTION	NOTES
1	3829280	1	Radiator	(866089)
1A	960630	1	Plug	
1B	976929	1	Gasket	(969011)
2	866090	1	Intercooler	
3	3825747	1	Fan shroud	REPL by 1 pcs 3827830 fan shroud, 1 pcs 3827612 fan ring, 2 pcs 945444 flange screw.
4	866095	1	Pressure cap	
5	192618	X	Hose	L=1715
6	946173	4	Flange screw	
7	946441	8	Screw	
8	966862	8	Screw	
9	3826264	2	Bracket	
10	970947	4	Screw	
11	941908	4	Spring washer	
12	971071	4	Nut	
13	849170	2	Rubber cushion	
14		X	Clip	
15	940280	4	Spring washer	
16	955850	4	Nut	
17	865207	1	Radiator stay	
18	955793	3	Nut	
19	941912	3	Spring washer	
20	191940	4	Washer	
21	866857	4	Rubber bushing	
22	252202	2	Bushing	
23	3826807	1	Bracket	
24	807257	3	Spacer sleeve	
25	965183	3	Flange screw	
26	865265	1	Radiator hose	
27	961673	4	Clamp	
28	865266	1	Radiator hose	
29	943475	2	Hose clamp	
30	942649	1	Nipple	
31	947660	1	Plug	
32	11994	1	Gasket	
33	865208	1	Radiator protector	
34	947760	6	Flange screw	
35	846118	1	Emblem	
36	865575	8	Hose clamp	
37	941651	2	Screw	
38	3828712	1	Fan hub	(862495)
	3828711	1	Fan hub	For plastic fan
39	969199	6	Stud	
40	971095	6	Nut	
41	848924	1	Fan	D=890mm
	3828964	1	Fan	Plastic fan
	3825035	1	Fan, broad leaf	D=890mm
42	3825490	2	Fan protector	
43	945444	12	Flange screw	
44	946048	12	Spacer washer	
45	948211	8	Strip clamp	
46	944386	X	Hose	L=1350mm
47	943366	X	Hose	L=950mm (13776)
48	943470	2	Hose clamp	
49	865130	1	Pipe	
50	865127	2	Hose	
51	865127	2	Hose	(865128)
52	865131	1	Pipe	