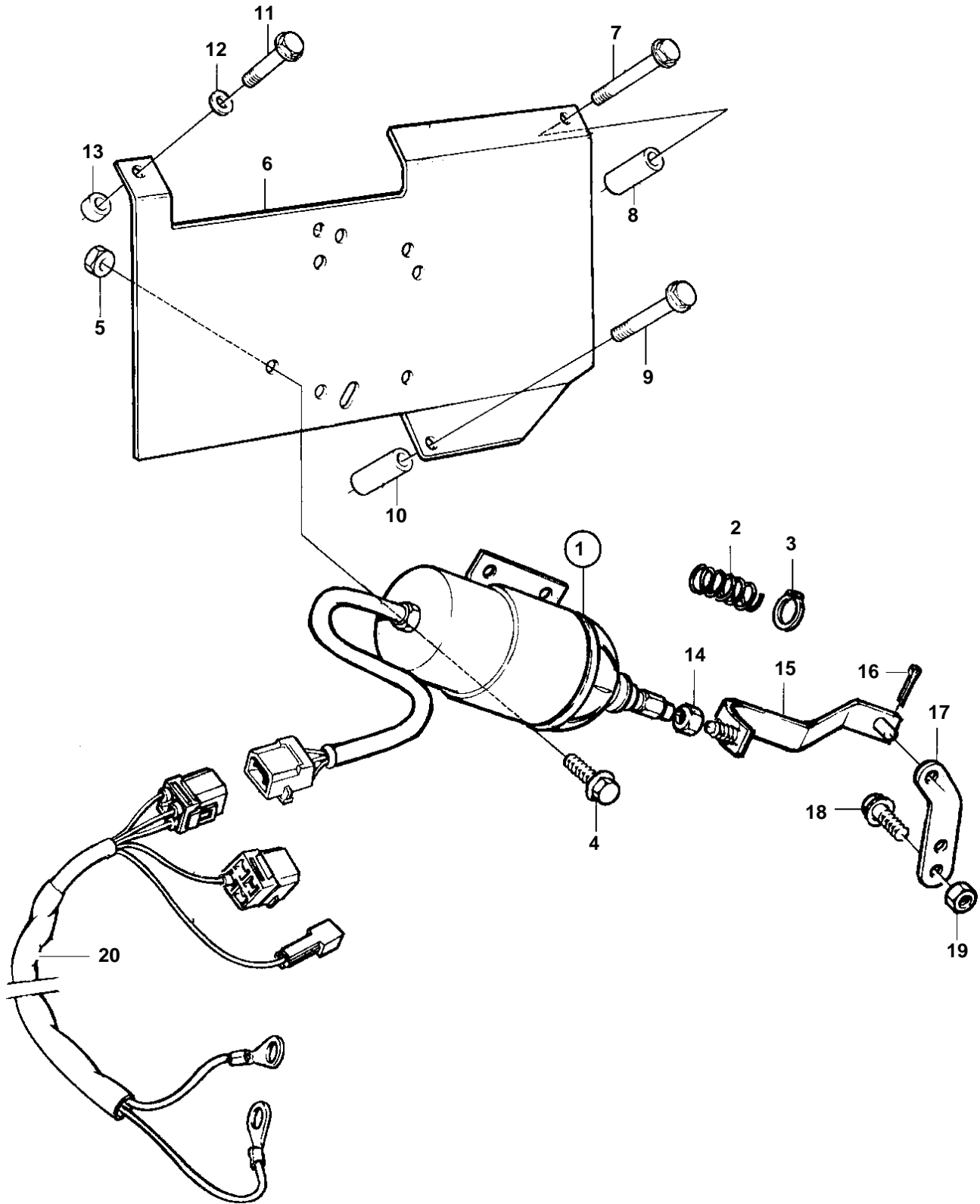


TAD1630V



17073

TAD1630V

REF	PART NO.	QTY	DESCRIPTION	NOTES
1	3826742	1	Control magnet kit	REPL BY 888468
	888468	1	Control magnet kit	
2	847333	1	· Return spring	TH=2,0mm
3	914456	1	· Lock ring	
4	946440	4	Flange screw	
5	946036	4	Lock nut	
6	865736	4	Bracket	
7	955312	1	Screw	
8		1	Sleeve	L=67mm
9	965216	1	Screw	
10	852660	1	Spacer sleeve	L=25mm
11	955312	1	Screw	
12	941907	1	Spring washer	
13		1	Sleeve	L=17mm (807184)
14	955782	1	Nut	
15	863107	1	Pull rod	
16		1	Cotter pin	
17	862069	1	Lever	
18	946544	2	Flange screw	
19	963105	2	Nut	
20	872933	1	Timer relay kit	FOR 876593
	873641	1	Cable harness	FOR 876789, 3826742