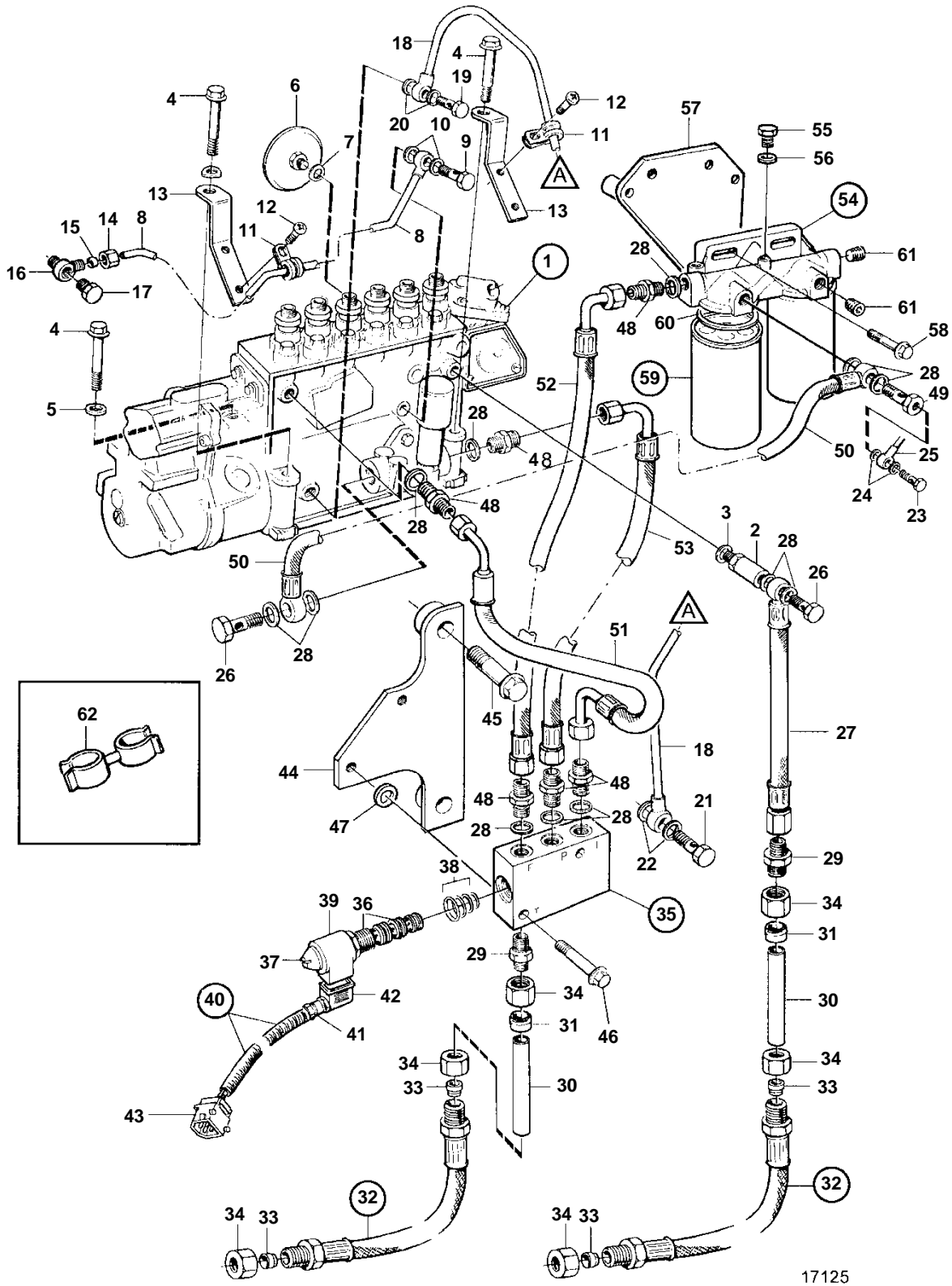


TAD1630P



TAD1630P

REF	PART NO.	QTY	DESCRIPTION	SEE SEC.	NOTES
1	865567	1	Injection pump		
	3803718	1	Injection pump, exch		Exchange unit
				1495	
2	3825154	1	Overflow valve		
3	11996	1	Gasket		
4	965189	4	Flange screw		
5	190509	2	Washer		
6	477173	1	Pressure equalizer		
7	969011	1	Gasket		
8	862997	1	Oil feed pipe		
9	48634	1	Hollow screw		
10	947281	2	Gasket		
11	952623	2	Clamp		
12	956092	2	Screw		
13	1543721	2	Bracket		
14	954356	1	Cap nut		
15	954364	1	Fitting		
16	942078	1	T-nipple, cylinder block		
17	479979	1	Plug		
18	1543962	1	Oil return pipe		
19	48634	1	Hollow screw		
20	947281	2	Gasket		
21	25167	1	Hollow screw, cylinder block		
22	969011	2	Gasket		
23	74033	1	Hollow screw		
24	947620	2	Gasket		
25	865360	1	Leak-off line		
26	16496	2	Hollow screw		
27	3825603	1	Fuel hose		
28	969011	12	Gasket		
29	957055	2	Nipple		
30	3825770	2	Fuel pipe		
31	956969	2	· Ferrule		
32	865737	2	Fuel hose		
33	956969	4	· Ferrule		
34	956983	4	· Nut		
35	866699	1	Shut-off valve		
36	3825235	1	· Valve		
37		1	· Nut		
38	3825238	1	· Gasket kit		
39	3825240	1	· Magnet		
40	866927	1	Cable kit		
41	866664	1	· Connector unit		
42	844576	1	· Cable union		
43		99	· Electrical materials	1963	
44	3825152	1	Bracket		
45	955368	2	Screw		
46	947760	2	Flange screw		
47	966674	2	Washer		
48	941754	6	Nipple		
49	16496	1	Hollow screw		
50	3825670	1	Fuel hose		
51	3825671	1	Fuel hose		
52	3825722	1	Fuel hose		
53	3825669	1	Fuel hose		
54	1676832	1	Filter housing		
55	471177	1	· Screw, air venting		
56	947620	1	· Gasket		
57	849769	1	Bracket		
58	965185	2	Flange screw		
59	3825133	2	Fuel filter		(466987)
60	6638088	2	· Gasket		
61	968062	3	Plug		

TAD1630P

REF	PART NO.	QTY	DESCRIPTION	SEE SEC.	NOTES
62	866663	2	Clamp		