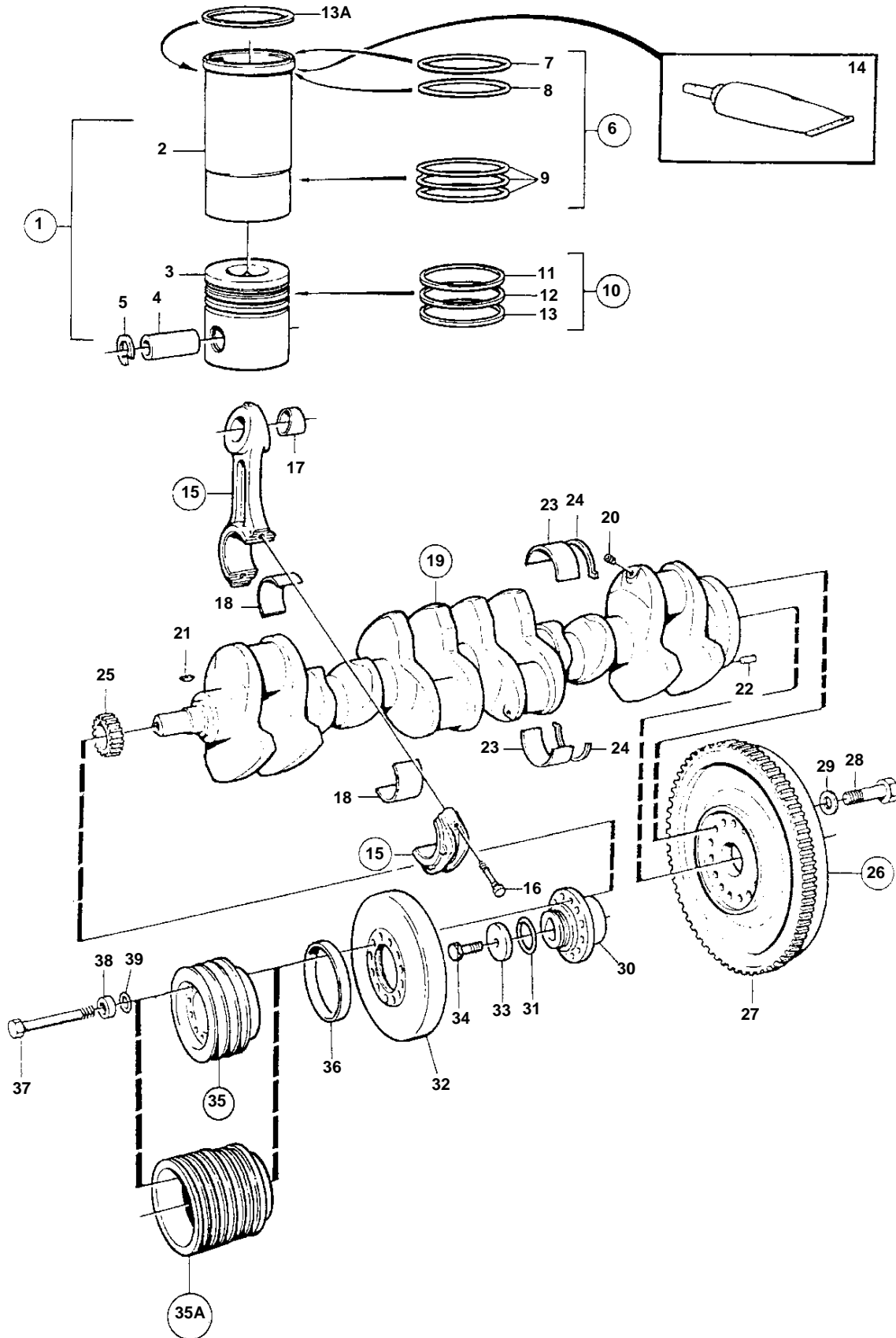


TWD1630P, TAD1630P



16874

TWD1630P, TAD1630P

REF	PART NO.	QTY	DESCRIPTION	SEE SEC.	NOTES
1	3826321	1	Conversion kit		SN-2160022233. The rebuild kit includes 6 ea cylinder liner kit 3826320 and 6 ea connecting rod 1556319.
			Bulletin 47-05	47-05-EN	New Piston & Piston Rings
1	3826320	6	Cylinder liner kit		SN2160022234-
			Bulletin 47-05	47-05-EN	New Piston & Piston Rings
2		6	· Cylinder liner		
3		6	· Piston		
4	1556200	6	· Piston pin		SN-2160022233
	1556401	6	· Piston pin		SN2160022234-
5	914532	12	· Snap ring		
6	270935	6	· Sealing ring kit		
7	1543507	6	· · Sealing ring		
8		6	· · Sealing ring		
9		18	· · Sealing ring		
10	3826935	6	· Piston ring kit		SN-2160022233
	876831	6	· Piston ring kit		SN2160022234-
			· Bulletin 47-05	47-05-EN	New Piston & Piston Rings
11		6	· · Compression ring		
12		6	· · Compression ring		
13		6	· · Oil scraper ring		
13A	1548125	X	Shim		TH=0,20mm. Shims to adjust the cylinder liner level.
	1548126	X	Shim		TH = 0,30mm. Shims to adjust the cylinder liner level.
	1548127	X	Shim		TH = 0,50mm. Shims to adjust the cylinder liner level.
14	1161231	X	Sealant		304ml
	1161277	X	Sealant		10g
15	863794	6	Connecting rod		SN-2160022233
	1556319	6	Connecting rod		SN2160022234-
16	1543035	12	· Screw		
17	1543034	6	· Bushing		SN-2160022233
	1556321	6	· Bushing		SN2160022234-
18	270796	6	Big end bearing kit		STD D
	270797	6	Big end bearing kit		U.S=0,25mm
	270798	6	Big end bearing kit		U.S=0,51mm
	270799	6	Big end bearing kit		U.S=0,76mm
19	863792	1	Crankshaft		
20	968060	6	· Plug, with sealant		REPL BY 978130
	978130	6	· Plug, without sealant		
21	422253	1	· Woodruff key		
22	950645	1	· Pin		
23	270792	7	Main bearing kit		STD D
	270793	7	Main bearing kit		U.S=0,25mm
	270794	7	Main bearing kit		U.S=0,51mm
	270795	7	Main bearing kit		U.S=0,76mm
24	270929	1	Thrust washer kit		STD D
	270930	1	Thrust washer kit		O.S=0,10mm
	270931	1	Thrust washer kit		O.S=0,20mm
	270932	1	Thrust washer kit		0,30mm OVER SIZE
25	1543444	1	Gear		
26	3825678	1	Flywheel		(849115)
27	471532	1	· Gear ring		
28	849912	14	Screw		
29	1543563	14	Washer		
30	848851	1	Hub		
31	945512	1	O-ring		
32	1543834	1	Vibration damper		
33	422124	1	Washer		
34	862504	1	Screw		
35	849385	1	V-belt pulley, 6-hole		3-GROOVE, SN-2160018480
	3825893	1	V-belt pulley, 12-hole		3-GROOVE, SN2160018481-
35A	862031	1	V-belt pulley		7-GROOVE
36	862032	1	· Wear ring		
37	970960	6	Screw	SO	SN-2160018480
	970960	12	Screw		SN2160018481-

7745790 - 21 - 3276

16874

Upd: 21 NOV 2005

TWD1630P, TAD1630P

VOLVO
PENTA

