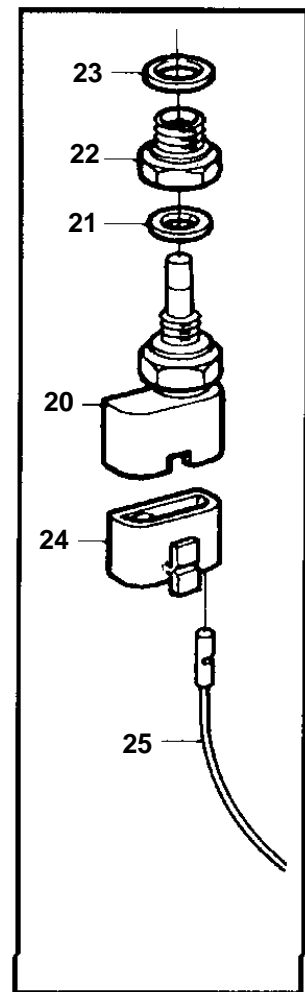
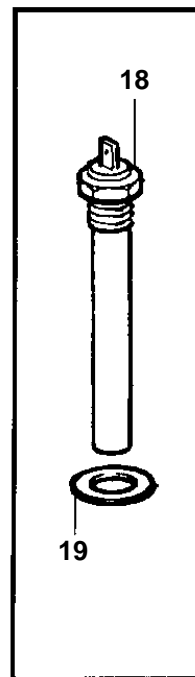
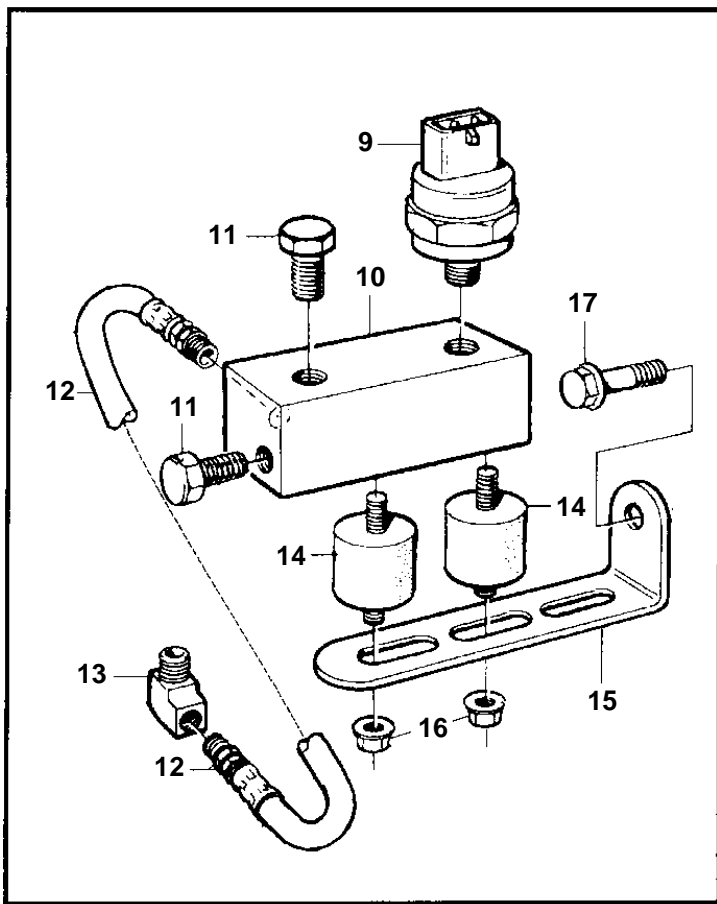
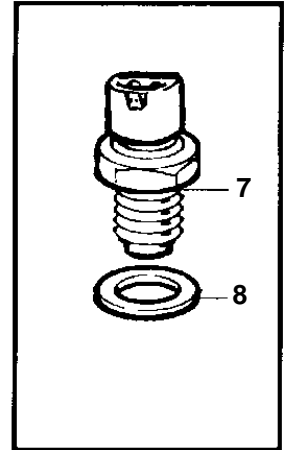
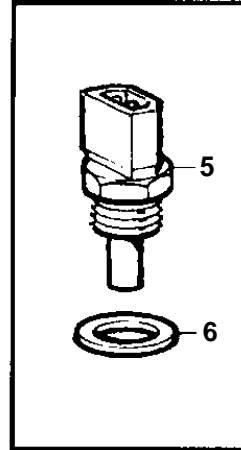
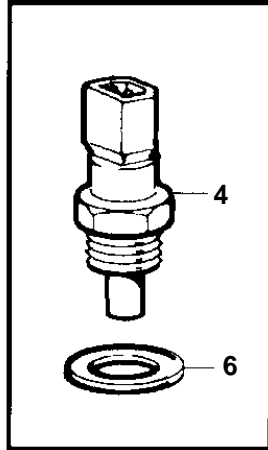
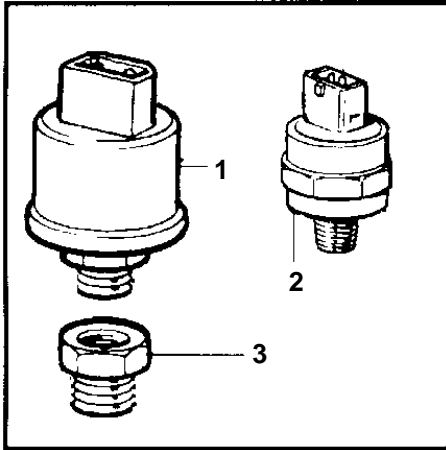


COMMON



17092

**COMMON**

REF	PART NO.	QTY	DESCRIPTION	SEE SEC.	NOTES
1	866835	1	Pressure sensor, oil-engine		0-10bar
2	863169	1	Pressure monitor, oil pressure		0,7bar
3	862109	1	Nipple		
4	848829	1	Temperature sensor		103°C
	862250	1	Thermo monitor		97°C
5	862154	1	Temperature sensor, coolant water temp.		MAX 120°C
6	11998	2	Gasket		
7	862251	1	Tachometer sensor		
8	947624	1	Gasket		
9	863169	1	Pressure monitor, oil pressure		0,7bar
10	866704	1	Bracket		
11	479979	2	Plug		
12	1507501	1	Hose		
13	180110	1	Elbow nipple		
14	3574797	2	Rubber cushion		
15		1	Bracket		
16	945407	2	Flange nut		
17	946440	1	Flange screw		
18	1581232	1	Level indicator		Not for expansion tank made of plastic.
	1581226	1	Level indicator		For expansion tank made of plastic.
19	11994	1	Gasket		
20	862627	1	Temperature sensor, oil		MAX 150°C. To measure oil temp, to be mounted in oil sump.
21	11998	1	Gasket		
22	863312	1	Adapter	SO	
23	949329	1	Gasket		
24	1307048	1	Receptacle housing		
25			Cables and terminals	1963	