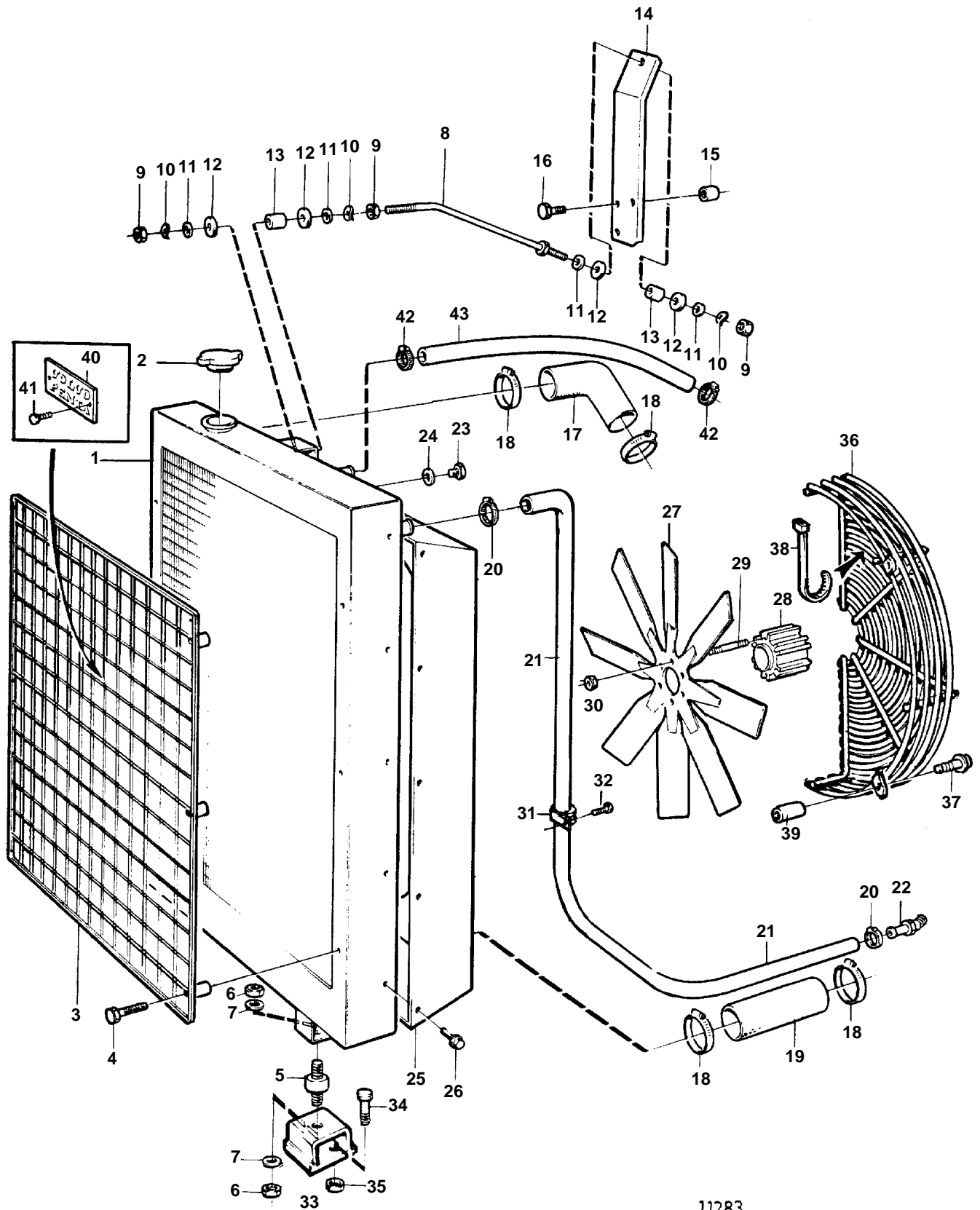


TWD1630P



11283

TWD1630P

REF	PART NO.	QTY	DESCRIPTION	NOTES
1	864893	1	Radiator	
2	866095	1	Pressure cap	
3	862959	1	Radiator protector	
4	947760	6	Flange screw	
5	849170	2	Rubber cushion	
6	955850	4	Nut	
7	940280	4	Spring washer	
8	862159	1	Radiator stay	
9	955793	3	Nut	
10	941912	3	Spring washer	
11	191940	4	Washer	
12	866857	4	Rubber bushing	
13	252202	2	Bushing	
14	862161	1	Bracket	
15	847239	3	Sleeve	
16	865218	3	Bracket	
17	862102	1	Radiator hose	
18	943480	4	Clamp	
19	849738	1	Radiator hose	
20	943475	2	Hose clamp	
21	944386	X	Hose	L=1300mm
22	942649	1	Nipple	
23	947660	1	Plug	
24	11994	1	Gasket	
25	848889	1	Fan shroud	SN-XXXXX19089
	3825554	1	Fan shroud	SNXXXXX19090-
26	966807	12	Screw	
27	848925	1	Fan, suction type	D=890mm
	848924	1	Fan, pusher type	D=890mm
28	862495	1	Fan hub	
29	969199	6	Stud	
30	971095	6	Nut	
31	952637	1	Clamp	
32	945970	1	Screw	
33	3826264	2	Bracket	(865242)
34	946329	4	Flange screw	(973089)
35	971098	4	Flange lock nut	
36	865884	2	Fan protector	SN-XXXXX19089
	3825490	2	Fan protector	SNXXXXX19090-
37	973924	4	Flange screw	SN-XXXXX19089
	965180	12	Flange screw	SNXXXXX19090-
38	948211	8	Strip clamp	
39	807425	4	Sleeve	SN-XXXXX19089
	836838	12	Spacer sleeve	SNXXXXX19090-
40	846118	1	Emblem	
41	941651	2	Screw	
42	943470	2	Hose clamp	
43	13776	X	Rubber hose	