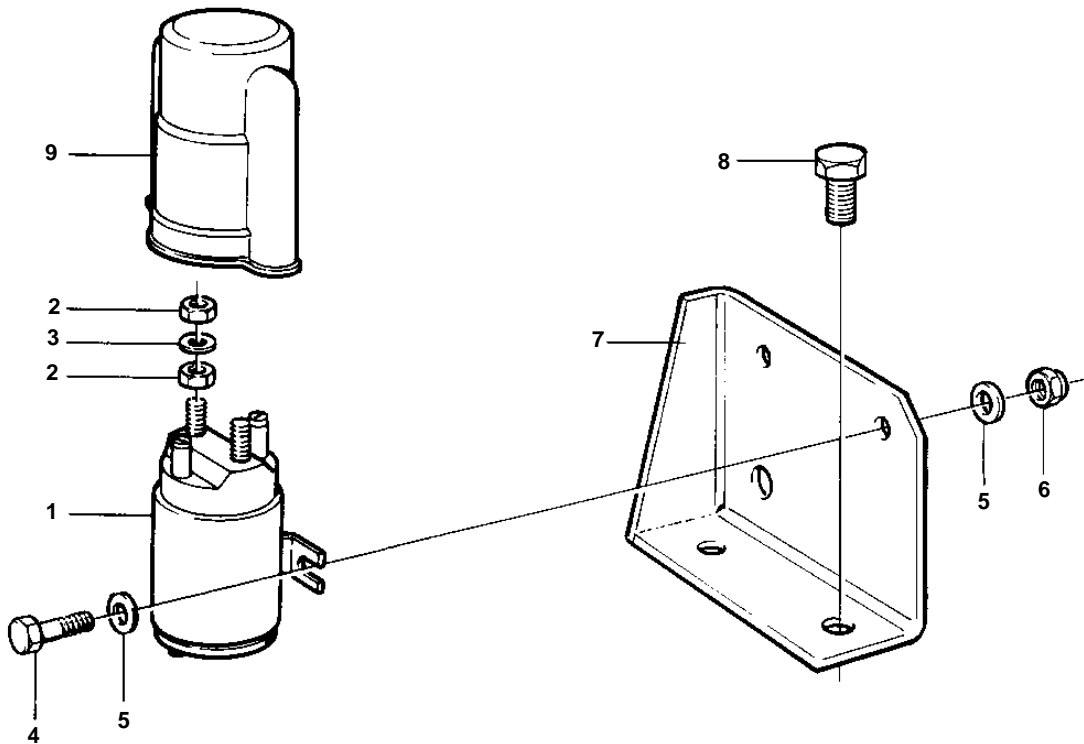
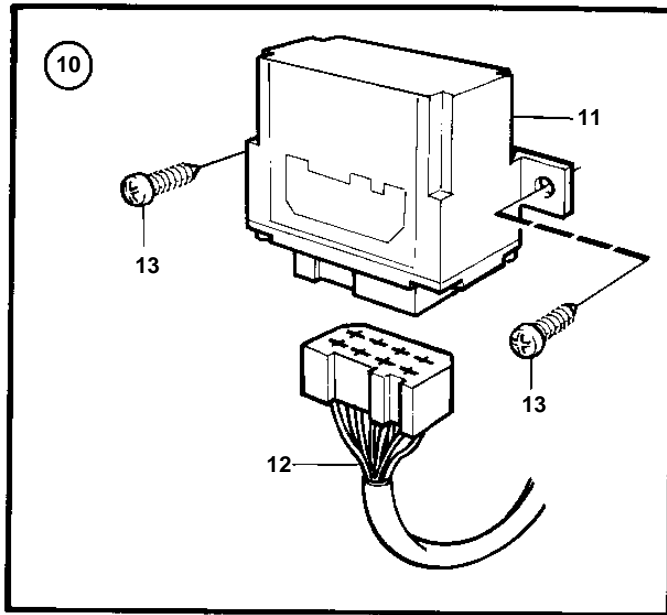


TWD1620G, TWD1630G, TAD1630G, TAD1630GE, TAD1631G, TAD1631GE



15130

TWD1620G, TWD1630G, TAD1630G, TAD1630GE, TAD1631G, TAD1631GE

REF	PART NO.	QTY	DESCRIPTION	NOTES
1	873962	1	Relay	24V 150A
2	17624	4	Nut	
3	955894	2	Washer	
4	955246	2	Screw	
5	940090	4	Washer	
6	946577	2	Lock nut	
7	862222	1	Bracket	
8	946173	2	Flange screw	
9	1581123	2	Cover	
10	872613	1	Timer relay kit, starter element	
11	874100	1	· Timer relay	
12		X	· Cables and terminals	SE GROUP 30
		X	· Electrical materials	SE GROUP 30
13		2	Screw	