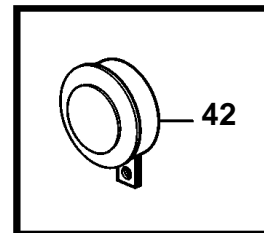
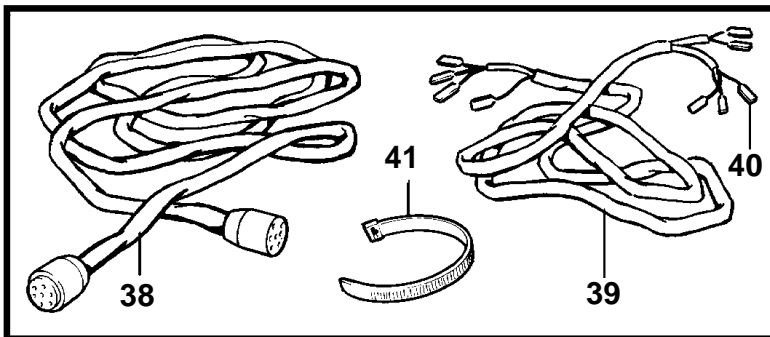
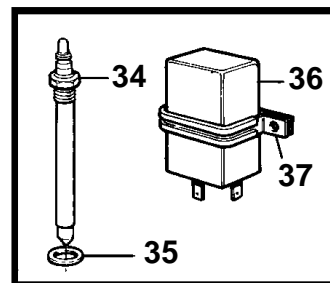
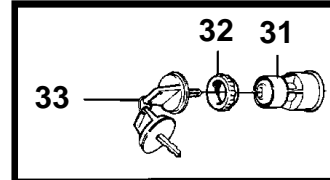
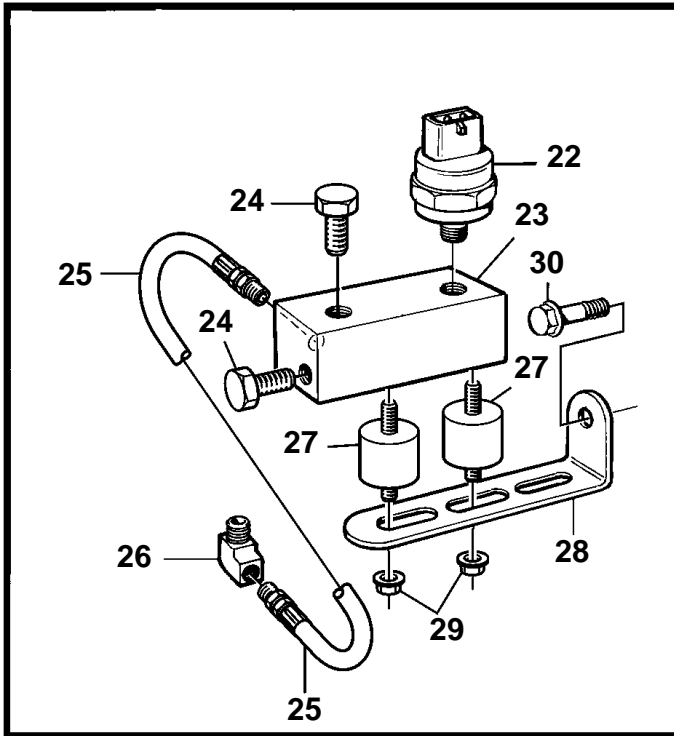
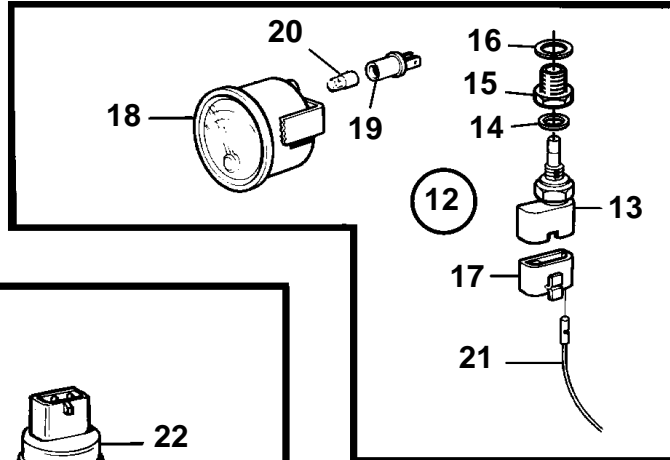
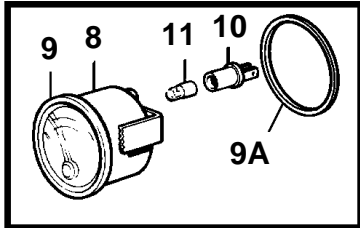
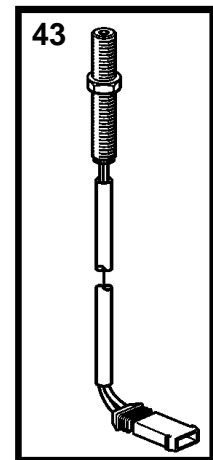
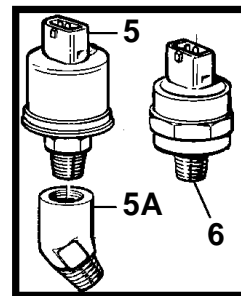
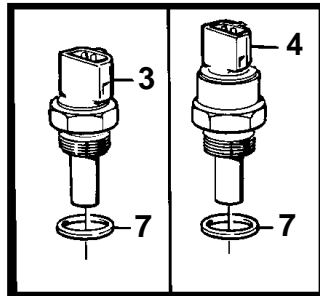
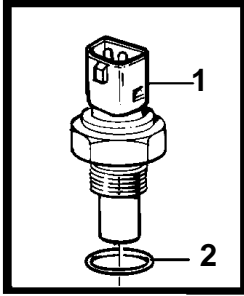


TWD1620G, TWD1630G, TAD1630G, TAD1630GE, TAD1631G, TAD1631GE



20213

TWD1620G, TWD1630G, TAD1630G, TAD1630GE, TAD1631G, TAD1631GE

REF	PART NO.	QTY	DESCRIPTION	SEE SEC.	NOTES
1	862251	1	Tachometer sensor		
2	947624	1	Gasket		
3	862154	1	Temperature sensor, coolant water temp.		MAX 120°C
4	862250	1	Thermo monitor, coolant water temp.		97°C
	848829	1	Temperature sensor, coolant water temp.		103°C
5	866835	1	Pressure sensor, oil-engine Bulletin P-38-6-1	P-38-6-1-EN	Vibration Damping Kit
5A	809109	1	Elbow nipple		
6	863169	1	Pressure monitor, oil-pressure		
7	11998	2	Gasket		
8	874496	1	Rev counter kit, hour/tachometer		(854915)
	873998	1	Rev counter kit, tachometer		(872040)
	872479	1	Hour counter, hour meter		12V-24V
	849848	1	Thermometer, coolant water temp.		
	849849	1	Oil pressure gauge, oil-pressure		
	862096	1	Voltmeter		24V
9	858644	1	Front ring		O.D. = 95mm, FOR 872040
	858643	1	Front ring		O.D. =65mm, FOR 872479
9A	873721	1	Intermediate ring		
10	808175	1	Bulb socket		FOR 854915,872040,. For bulb with base BA 7s.
					849848, 849849, 862096
	863945	1	Bulb socket		FOR 872479. For bulb with base W2X4,6d.
11	182059	1	Bulb		24Vx3W BA 7S
	828818	1	Bulb		24Vx2W BA 7S
	863946	1	Bulb		12Vx1,2W W2x4,6d
	863947	1	Bulb		24Vx1,2W W2x4,6d
12		1	Oil temp gauge kit		
13	862627	1	• Temperature sensor, oil		MAX 150°C
14	947624	1	• Gasket		
15	863312	1	• Adapter	SO	
16	949329	1	• Gasket		
17	1307048	1	• Receptacle housing		
18	863408	1	• Thermometer		
19	808175	1	• Bulb socket		
20	828818	1	• Bulb		
21		X	• Electrical materials	1963	
		X	• Electrical materials	1964	
		X	• Electrical materials	1965	0,7bar
22	863169	1	Pressure monitor, oil-pressure		0,7bar
23	866704	1	Bracket		
24	479979	2	Plug		
25	1507501	1	Hose		
26	180110	1	Elbow nipple		
27	3574797	2	Rubber cushion		
28	965561	1	Bracket		FOR 862250
	965558	1	Bracket		FOR 848829
29	945407	2	Flange nut		
30	946440	1	Flange screw		
31	3587072	1	Starter switch		(864277)
32	859955	1	• Plastic nut		
33	859953	2	• Key		State key code when ordering.
			• Bulletin 49-30	49-30-EN	Key P/N 859953
34	1581232	1	Level indicator		L=86mm. Not for expansion tank made of plastic.
	1581226	1	Level indicator		L=136mm. For expansion tank made of plastic.
35	11994	1	Gasket		
36	1622515	1	Level relay		
37	941772	1	Clamp		
38	863867	X	Cable trunk, extension		2500mm

