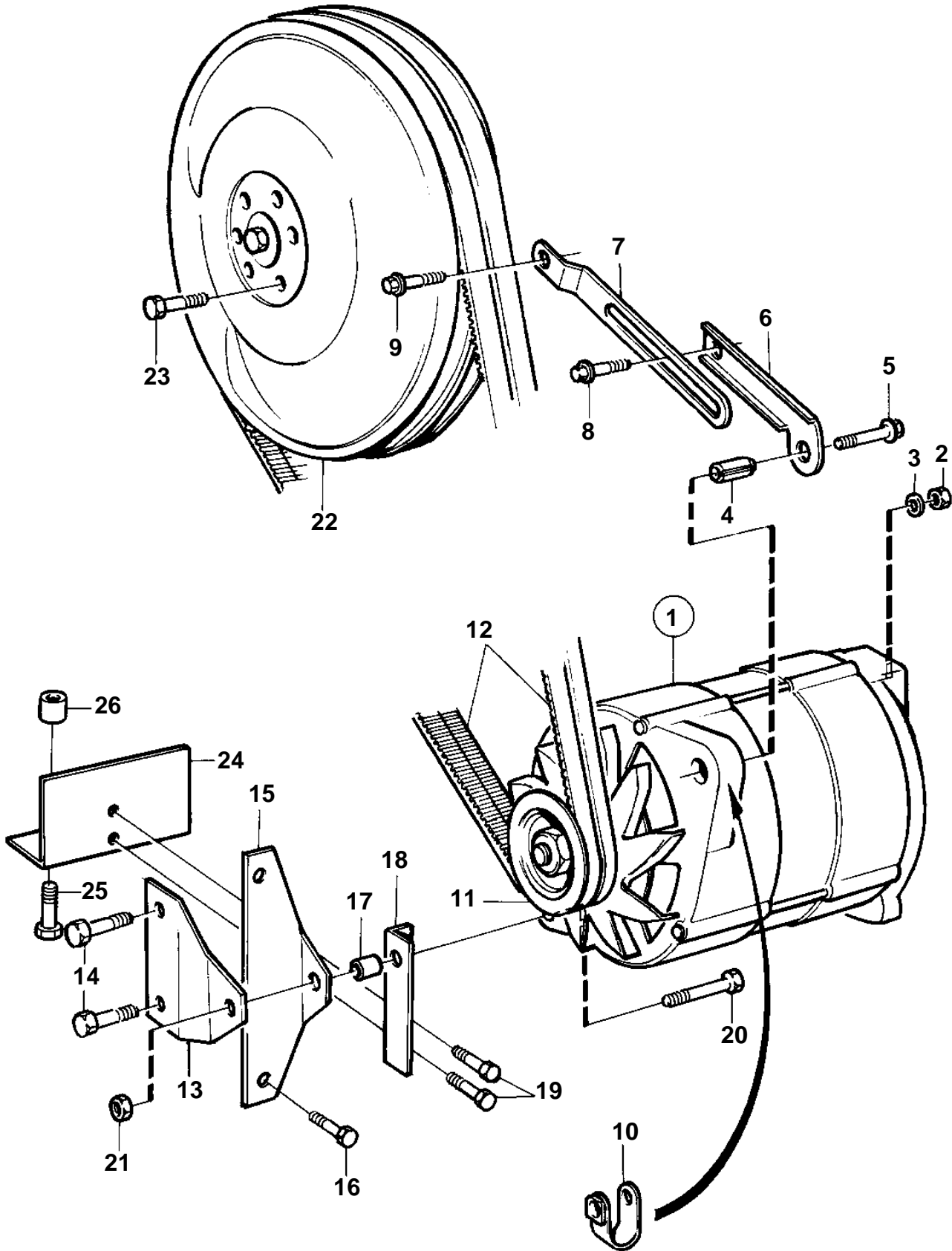


TWD1620G, TWD1630G, TAD1630G, TAD1630GE, TAD1631G, TAD1631GE



15782

TWD1620G, TWD1630G, TAD1630G, TAD1630GE, TAD1631G, TAD1631GE

REF	PART NO.	QTY	DESCRIPTION	SEE SEC.	NOTES
1	873757	1	Alternator	SO	28V 60A, E.U=3803270
				3838	
	872022	1	Alternator		28V 60A
				473	
	873771	1	Alternator		
	3803443	1	Alternator,exch		Exchange unit
				3838	
2	955779	1	Nut		M4
3	941904	1	Spring washer		
4	1610144	1	Pin		
5	947760	1	Flange screw		
6	847956	1	Tensioner		
7	849847	1	Tensioner		
8	946173	1	Flange screw		
9	947760	1	Flange screw		
10	466734	1	Tensioning eyelet		
11	822573	1	Pulley		
12	966974	1	V-belt kit		
13	862715	1	Bracket		
14	971012	2	Screw		
15	862716	1	Bracket		
16	965191	2	Screw		
17	820916	1	Spacer sleeve		
18	863025	1	Bracket		
19	946544	2	Flange screw		
20	970963	1	Screw		
21	971098	1	Flange lock nut		
22		1	Pulley		
23	946173	6	Flange screw		
24	863024	1	Bracket		
25	945444	2	Flange screw		
26	807183	2	Spacer sleeve		