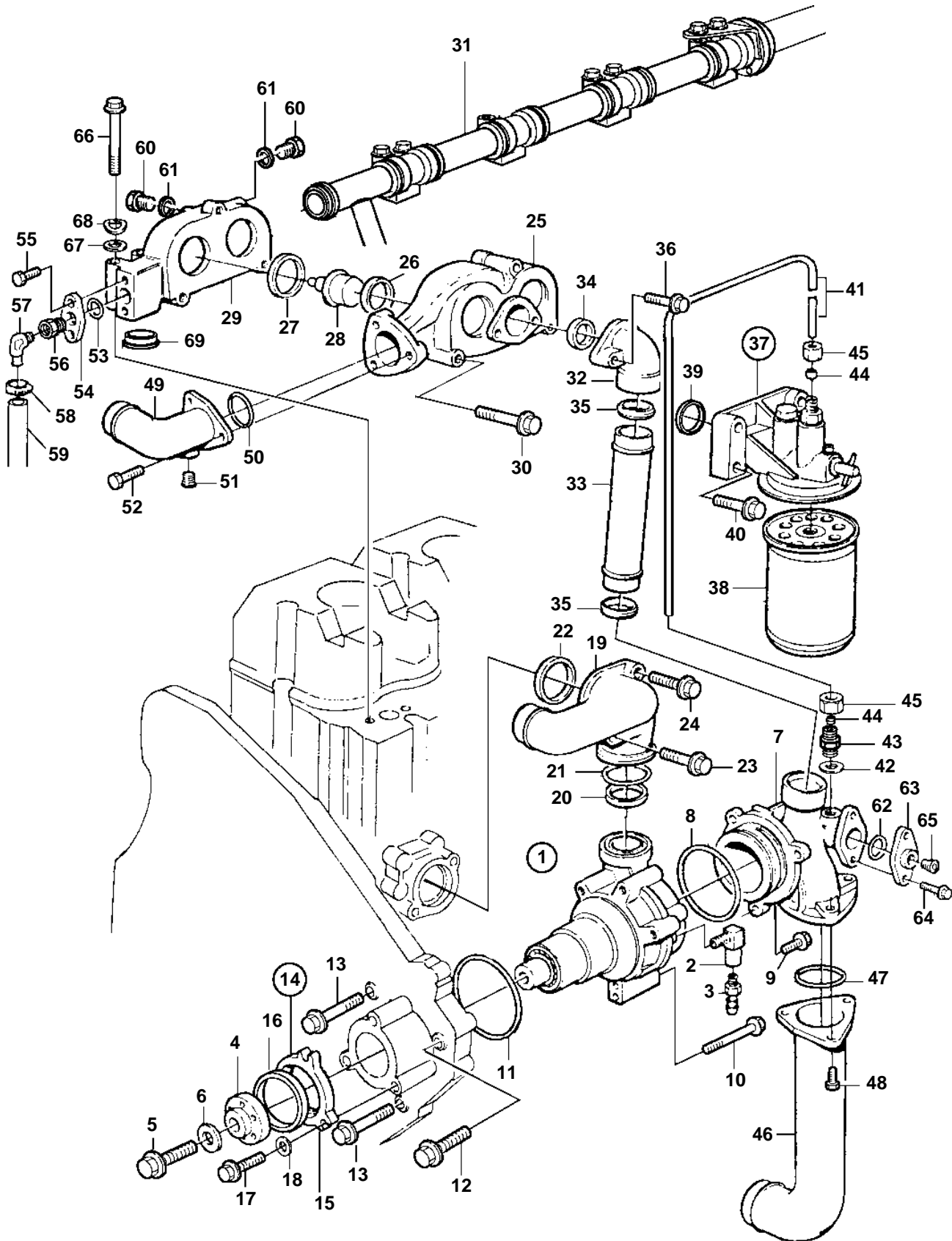


TWD1630G



TWD1630G

REF	PART NO.	QTY	DESCRIPTION	SEE SEC.	NOTES
1	1543380	1	Water pump		SN-2160012948. Replaced by 8149980.
				413	
	1556330	1	Water pump		SN2160012949-216002994. Replaced by 8149980.
				1891	
	8149980	1	Circulation pump		SN216002995-
	3803305	1	Circ. pump, exch		Exchange unit
			Comps. not spec.		
2	1543847	1	Nipple		
3	947893	1	Drain cock		
4	1543891	1	Hub		
5	471555	1	Screw		
6	1543923	1	Washer		
7	1556080	1	Rear section		
8	925096	1	O-ring		
9	945444	3	Flange screw		
10	965183	2	Flange screw		
11	925266	1	O-ring		
12	965223	1	Flange screw		L=75mm
13	947790	2	Flange screw		L=80mm
14		1	Retainer		
15	1543539	1	· Retainer		
16	1543908	1	· Sealing ring		
17	946470	3	Flange screw		
18	955894	3	Washer		
19	866159	1	Pipe		
20	1556397	1	Sealing ring		
21	1556412	1	Ring		
22	1556389	1	Sealing ring		
23	965182	1	Flange screw		
24	945444	1	Flange screw		
25	1556987	1	Thermostat housing		
26	1544710	2	Sealing ring		
27	1544410	2	Sealing ring		
28	3839110	2	Thermostat		75°C
29	862141	1	Rear section		
30	965184	3	Screw		
31		1	Collecting pipe	3950	
32	1556081	1	Connection pipe		
33	1556082	1	Tube		
34	1556949	1	Sealing ring		
35	1543572	2	Sealing ring		
36	973924	2	Flange screw		
37		1	Bracketfor cooling water filter		
				417	
38	1699830	1	Coolant filter		
39	469846	1	Sealing ring		
40	946671	4	Flange screw		
41	1556088	1	Tube		
42	957178	1	Gasket		
43	941754	1	Nipple		
44	956969	2	Ferrule		
45	956983	2	Nut		
46	849739	1	Coolant pipe		
47	925255	1	O-ring		
48	945444	3	Flange screw		
49	3831098	1	Connection pipe		(862103)
50	925255	1	O-ring		
51	479977	1	Plug		
52	945444	3	Flange screw		
53	469482	1	O-ring		
54	471705	1	Flange		
55	946173	2	Flange screw		
56	479954	1	Nipple		

