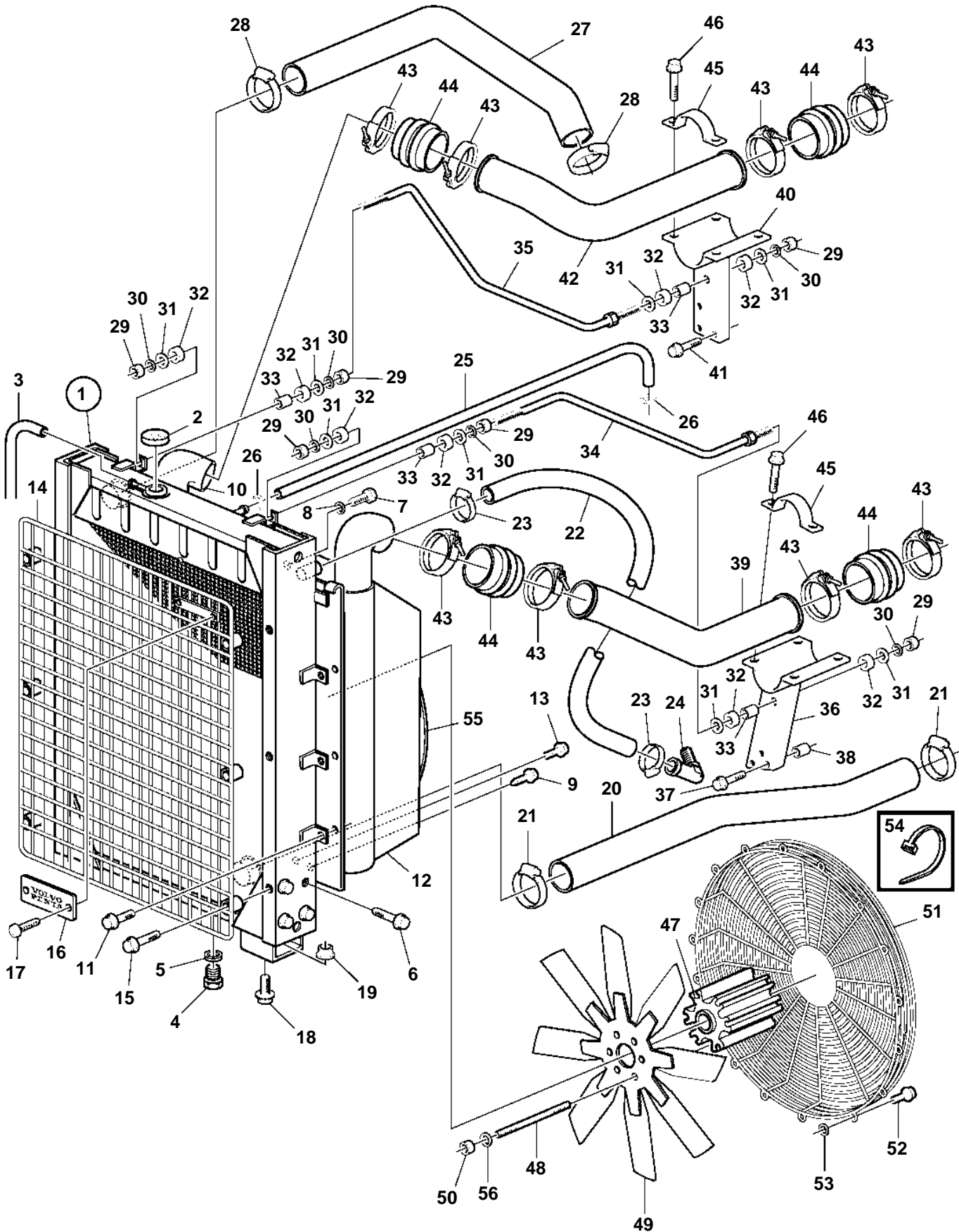


TAD1631G, TAD1631GE



## TAD1631G, TAD1631GE

REF	PART NO.	QTY	DESCRIPTION	NOTES
1	3829279	1	Radiator	(3825455)
2	866095	1	• Pressure cap	
3	192618	X	• Hose	L=1500mm
4	960630	1	• Plug	
5	969011	1	• Gasket	
6	946441	8	• Screw	
7	947660	1	Plug	
8	11994	1	Gasket	
9	966862	2	Screw	
10	3825456	1	Intercooler	
11	946173	6	Flange screw	
12	3825457	1	Fan shroud	Replaced by 1 ea 3827831 fan shroud, 1 ea 3827612 fan ring and 2 ea 945444 flangescrew.
	3827831	1	Fan shroud	
13	946544	4	Flange screw	
14	865208	1	Radiator protector	
15	947760	6	Flange screw	
16	846118	1	Emblem	
17	941651	2	Screw	
18	946817	2	Screw	
19	971099	2	Flange lock nut	
20	3825077	1	Radiator hose	
21	943480	2	Clamp	
22	944386	X	Hose	
23	943475	2	Hose clamp	
24	942649	1	Nipple	
25	943366	X	Hose	
26	943470	2	Hose clamp	
27	3825076	1	Radiator hose	
28	943480	2	Clamp	
29	955793	6	Nut	
30	941912	6	Spring washer	
31	191940	8	Washer	
32	866857	8	Rubber bushing	
33	252202	4	Bushing	
34	3825078	1	Radiator stay	
35	3825079	1	Radiator stay	
36	3825082	1	Bracket	
37	965195	3	Flange screw	
38	3826925	3	Spacer sleeve	
39	3825080	1	Pipe	
40	3825083	1	Bracket	
41	965182	3	Flange screw	
42	3825081	1	Charge air pipe	
43	1676424	8	Clamp	
44	1676199	4	Hose	
45	1674206	4	Cap	
46	946173	8	Flange screw	(949335)
47	3828713	1	Fan hub	(11033374). L=130mm
	3828712	1	Fan hub	(862495). L=150mm
	3828710	1	Fan hub	L=185mm
48	948932	6	Stud	ALT L=182mm. For 3828712
	969199	6	Stud	ALT L=200mm. For 3828713
49	3825035	1	Fan	
50	971095	6	Nut	
51	3825490	2	Fan protector	(865884)
52	945444	4	Flange screw	FOR 865884
	945444	12	Flange screw	FOR 3825490
53	946048	4	Spacer washer	FOR 865884
	946048	12	Spacer washer	FOR 3825490
	191172	12	Washer	FOR 3825490
54	948211	8	Strip clamp	
55	3827612	1	Fan ring	Used when fan scroud 3827831 is mounted.

TAD1631G, TAD1631GE

REF	PART NO.	QTY	DESCRIPTION	NOTES
56	190509	6	Washer	