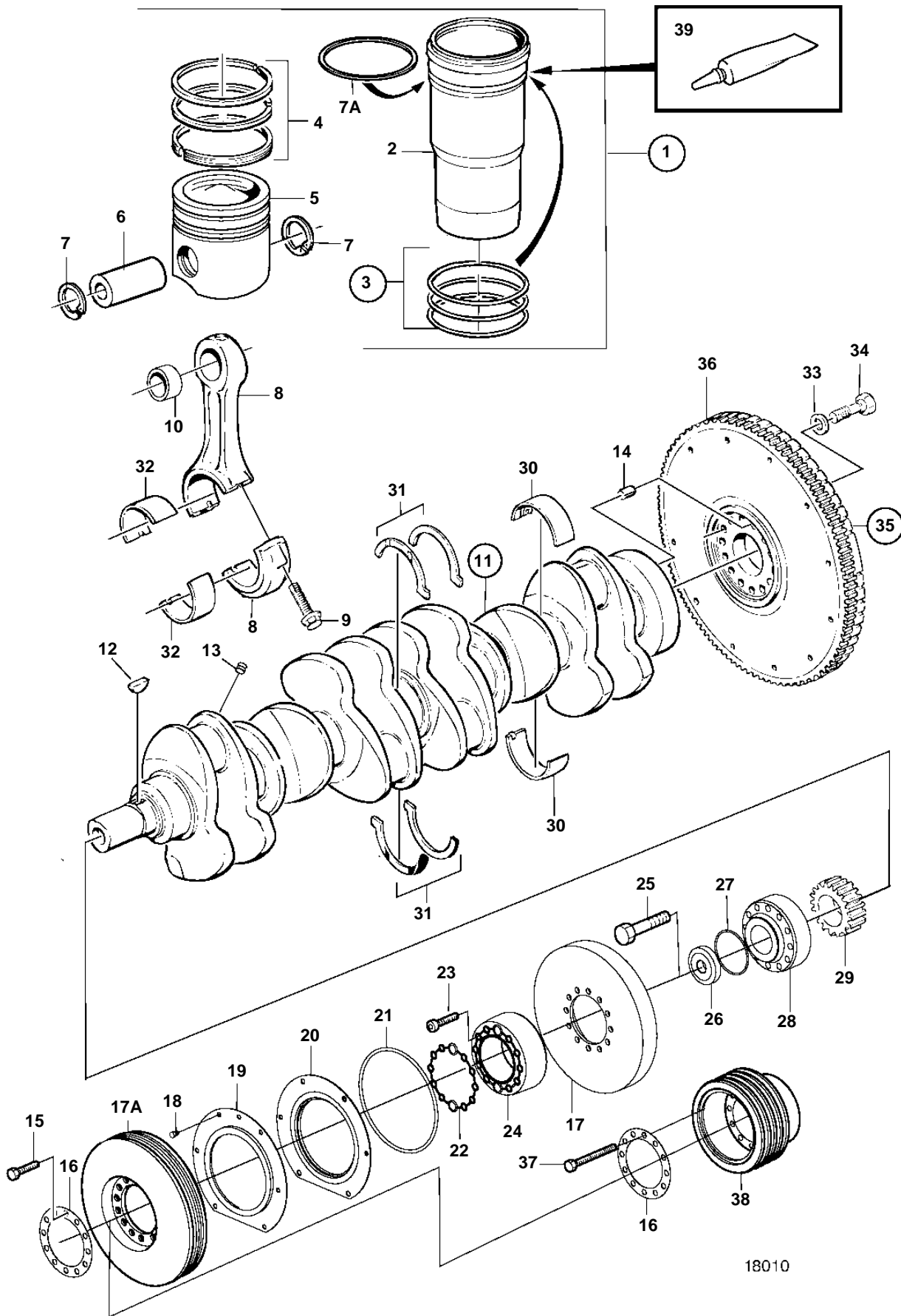


TWD1240VE



TWD1240VE

REF	PART NO.	QTY	DESCRIPTION	NOTES
1	3586771	6	Cylinder liner kit	
2		6	· Cylinder liner	
3	270950	6	· Sealing ring kit	
4	3840819	6	· Piston ring kit	
5		6	· Piston	
6	3155115	6	· Piston pin	
7	914530	12	· Lock ring	
7A	1677591	6	Shim	TH=0,20mm
7	1677592	6	Shim	TH = 0,30mm
	1677593	6	Shim	TH = 0,50mm
8	3835339	6	Connecting rod	(3184823)
9	1543035	12	· Screw	
10	20381185	6	· Bushing	
11	20538850	1	Crankshaft	CLASSIFIABLE (3832928)
12	422253	1	· Woodruff key	
13	978130	6	· Plug	
14	950645	1	· Pin	
15	963254	10	Screw	
16	8193962	1	Washer	
17	8193930	1	Vibration damper	
17A	11127304	1	Pulley	
18	946440	6	Flange screw	
19	3827504	1	Dust cover	
20	3832863	1	Sealing ring	
21	3832906	1	O-ring	
22	3827530	1	Sealing ring	
23	974111	2	Allen head screw	
24	3826656	1	Companion flange	
25	1543316	1	Screw	
26	422124	1	Washer	
27	945512	1	O-ring	
28	1549407	1	Hub	
29	8170192	1	Gear	
30	20530916	7	Main bearing kit	STD
		7	· Bearing shell, upper	
		7	· Bearing shell, lower	
	20578624	7	Main bearing kit	U.S=0.25mm
		7	· Bearing shell, upper	
		7	· Bearing shell, lower	
	20578625	7	Main bearing kit	U.S=0,50mm
		7	· Bearing shell, upper	
		7	· Bearing shell, lower	
	20578626	7	Main bearing kit	U.S=0.75mm
		7	· Bearing shell, upper	
		7	· Bearing shell, lower	
	20578627	7	Main bearing kit	U.S=1.00mm
		7	· Bearing shell, upper	
		7	· Bearing shell, lower	
31	3093651	1	Thrust washer kit	STD
	3093652	1	Thrust washer kit	O.S=00,1mm
	3093653	1	Thrust washer kit	O.S=0,2mm
32	276134	6	Big end bearing kit	STD
	276135	6	Big end bearing kit	U.S=0.25mm
	276136	6	Big end bearing kit	U.S=0,50mm
	276137	6	Big end bearing kit	U.S=0.75mm
	276334	6	Big end bearing kit	U.S=1.00mm
	276349	6	Big end bearing kit	U.S=1.25mm
33	1543563	14	Washer	
34	1677893	14	Screw	
35	3841339	1	Flywheel	(866380)
36	20711957	1	· Gear ring	
37	970893	10	Hexagon screw	
38	3826640	1	Pulley	

7744160 - 21 - 4524

18010

Upd: 2006-11-02

TWD1240VE, TAD1241VE, TAD1242VE, TAD1250VE, TAD1251VE, TAD1252VE

VOLVO
PENTA

