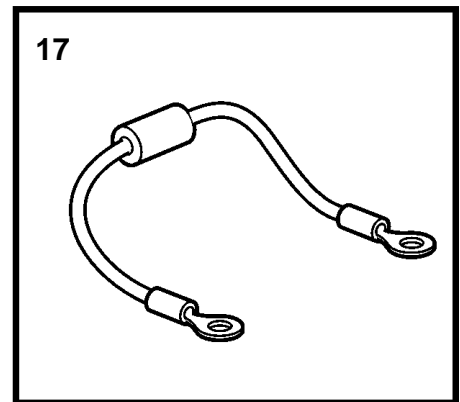
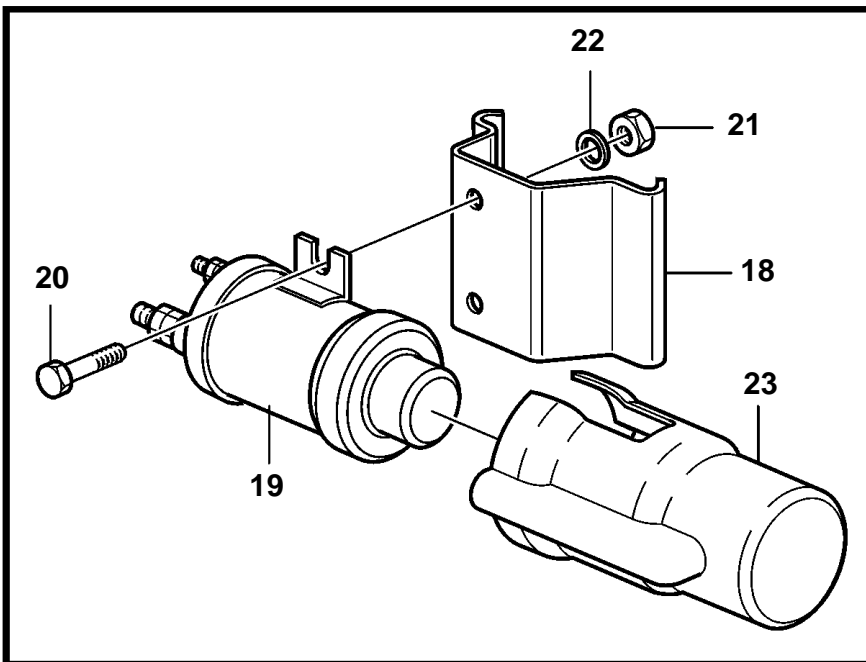
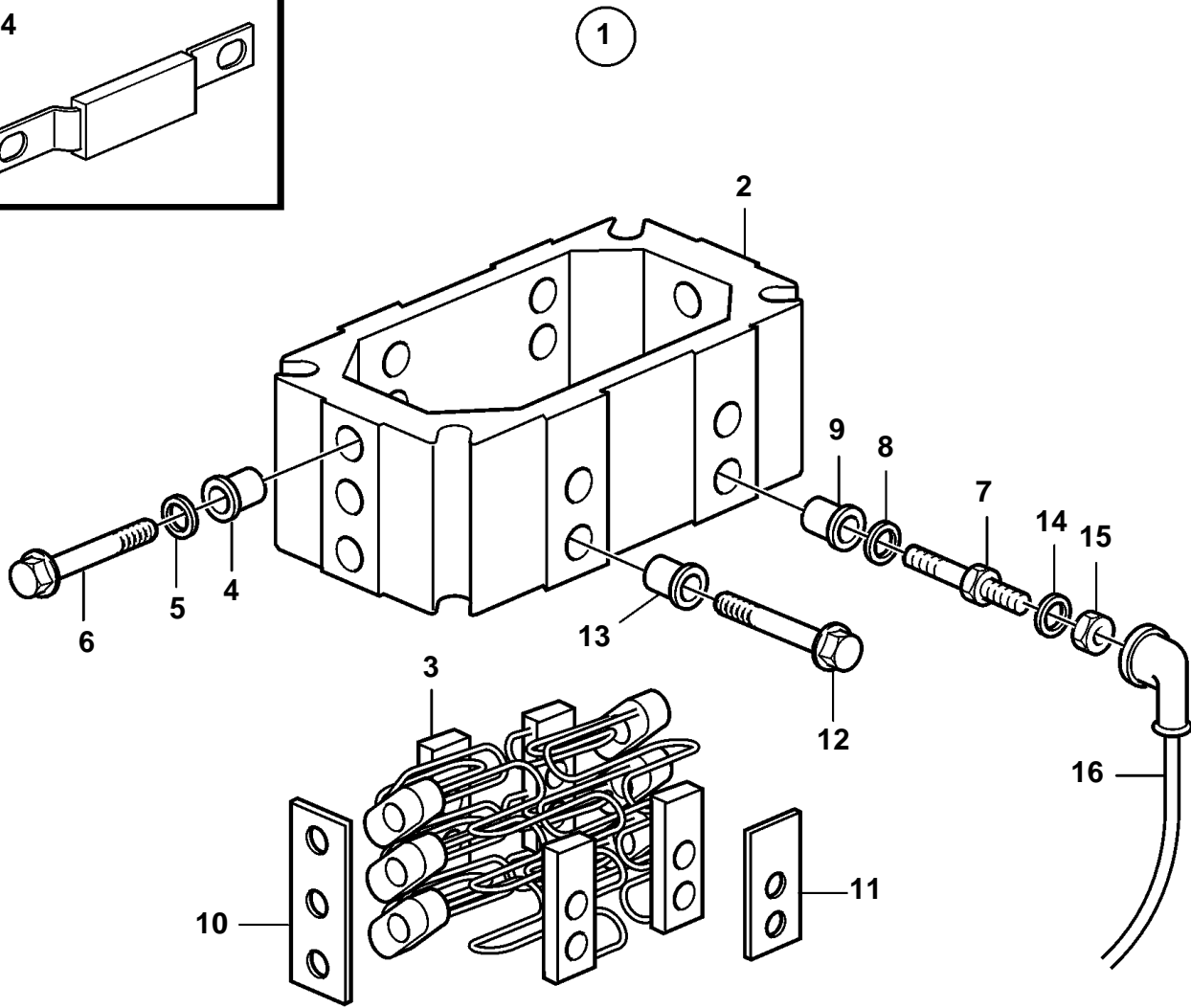
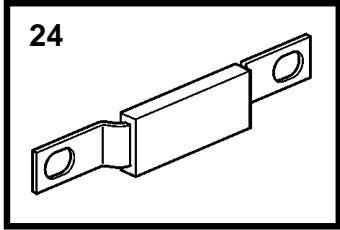


TAD1250VE, TAD1251VE, TAD1252VE



19951

TAD1250VE, TAD1251VE, TAD1252VE

REF	PART NO.	QTY	DESCRIPTION	NOTES
1	3834466	1	Starter element	
2		1	• Intermediate section	
3		1	• Wire element	
4	468468	12	• Sleeve	
5	191156	12	• Washer	
6	949652	12	• Screw	
7	468825	2	• Terminal screw	
8	192288	2	• Washer	
9	468511	2	• Bushing	
10		2	• Isolation plate	
11		4	• Isolation plate	
12	945444	1	Flange screw	(949578)
13	478896	1	Sleeve	
14	955894	1	Washer	
15	17624	2	Nut	
16	3885936	1	Wiring harness	
17	873789	1	Diode	
18	471476	1	Attaching plate	
19	873962	1	Relay	
20	969405	2	6 point socket screw	
21	949874	2	Lock nut	
22	940090	2	Washer	
23	1581123	1	Cover	
24	421692	1	Support	