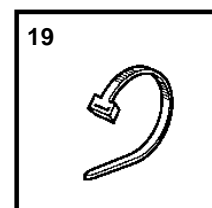
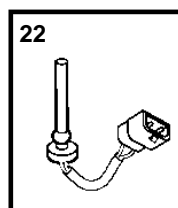
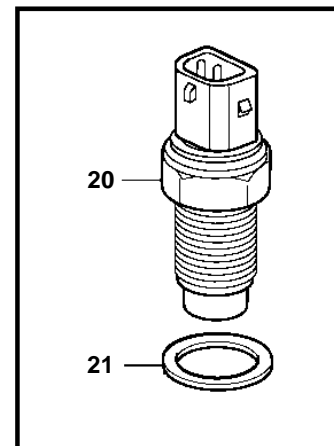
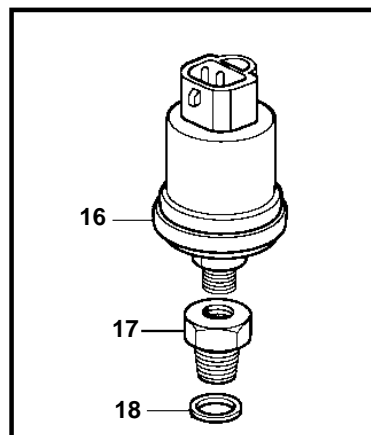
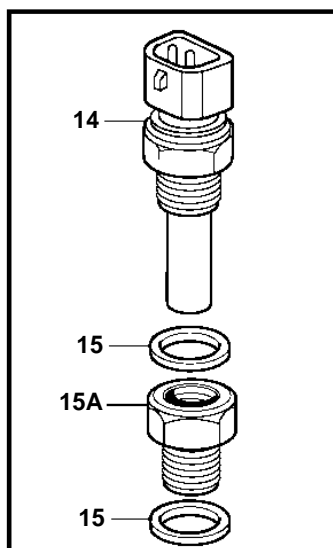
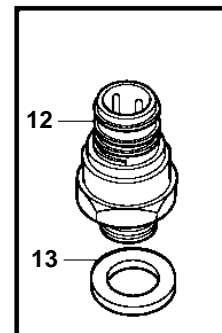
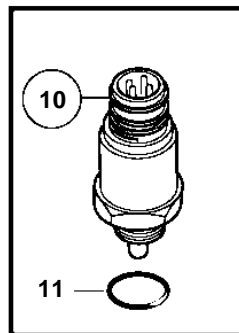
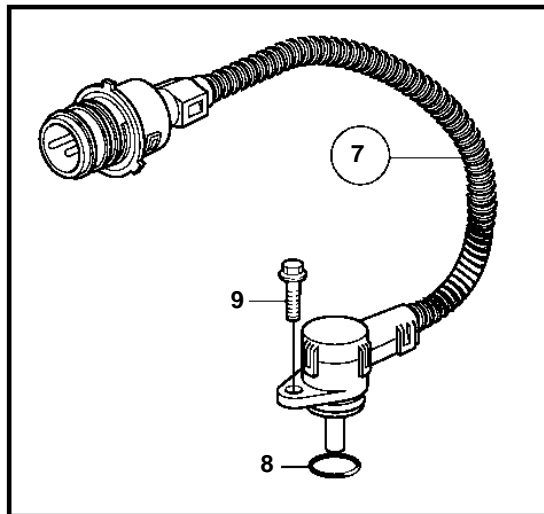
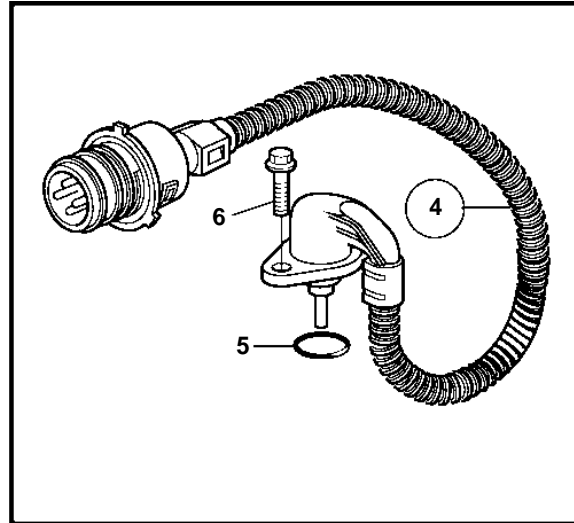
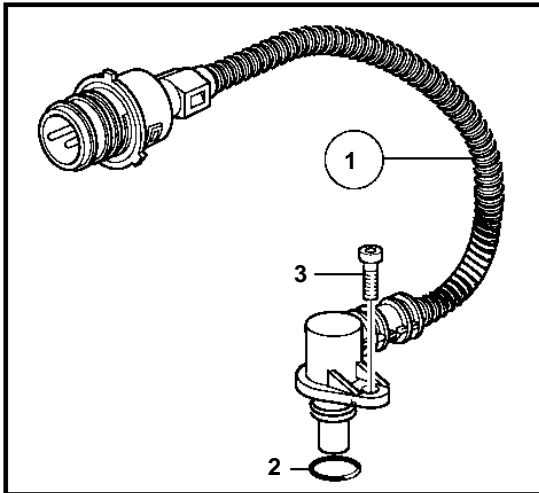


TWD1240VE, TAD1241VE, TAD1242VE



18128

TWD1240VE, TAD1241VE, TAD1242VE

| REF | PART NO. | QTY | DESCRIPTION | SEE SEC. | NOTES |
|-----|----------|-----|---|-------------|--|
| 1 | 20508011 | 1 | Tachometer sensor | | (20374282) |
| 2 | 974673 | 1 | · O-ring | | |
| 3 | 940326 | 1 | Screw | | |
| 4 | 20706889 | 1 | Sender | | Turbo pressure and charge air temp sensor. |
| 5 | 975632 | 1 | · O-ring | | |
| 6 | 946934 | 2 | Flange screw | | |
| 7 | 20576614 | 1 | Temperature sensor, coolant water temp. | | |
| 8 | 949656 | 1 | · O-ring | | |
| 9 | 946440 | 1 | Flange screw | | |
| 10 | 1077574 | 1 | Sender, oil pressure/temperature | | |
| 11 | 968559 | 1 | · O-ring | | |
| 12 | 20424056 | 1 | Fuel press regulator | | |
| 13 | 947622 | 1 | Gasket | | |
| 14 | 862154 | 1 | Temperature sensor, coolant water | | |
| | 862627 | 1 | Temperature sensor, oil | | |
| 15 | 11998 | 2 | Gasket | | |
| 15A | 3832778 | 1 | Reduction nipple | | |
| 16 | 866835 | 1 | Pressure sensor | | |
| | | | · Bulletin P-38-6-1 | P-38-6-1-EN | Vibration Damping Kit |
| 17 | 421528 | 1 | Reduction nipple, oil | | |
| 18 | 11996 | 1 | Gasket | | |
| 19 | 948211 | X | Strip clamp | | |
| 20 | 862251 | 1 | Tachometer sensor | | |
| 21 | 948884 | 1 | Washer | | |
| 22 | 8140024 | 1 | Level sensor | | |