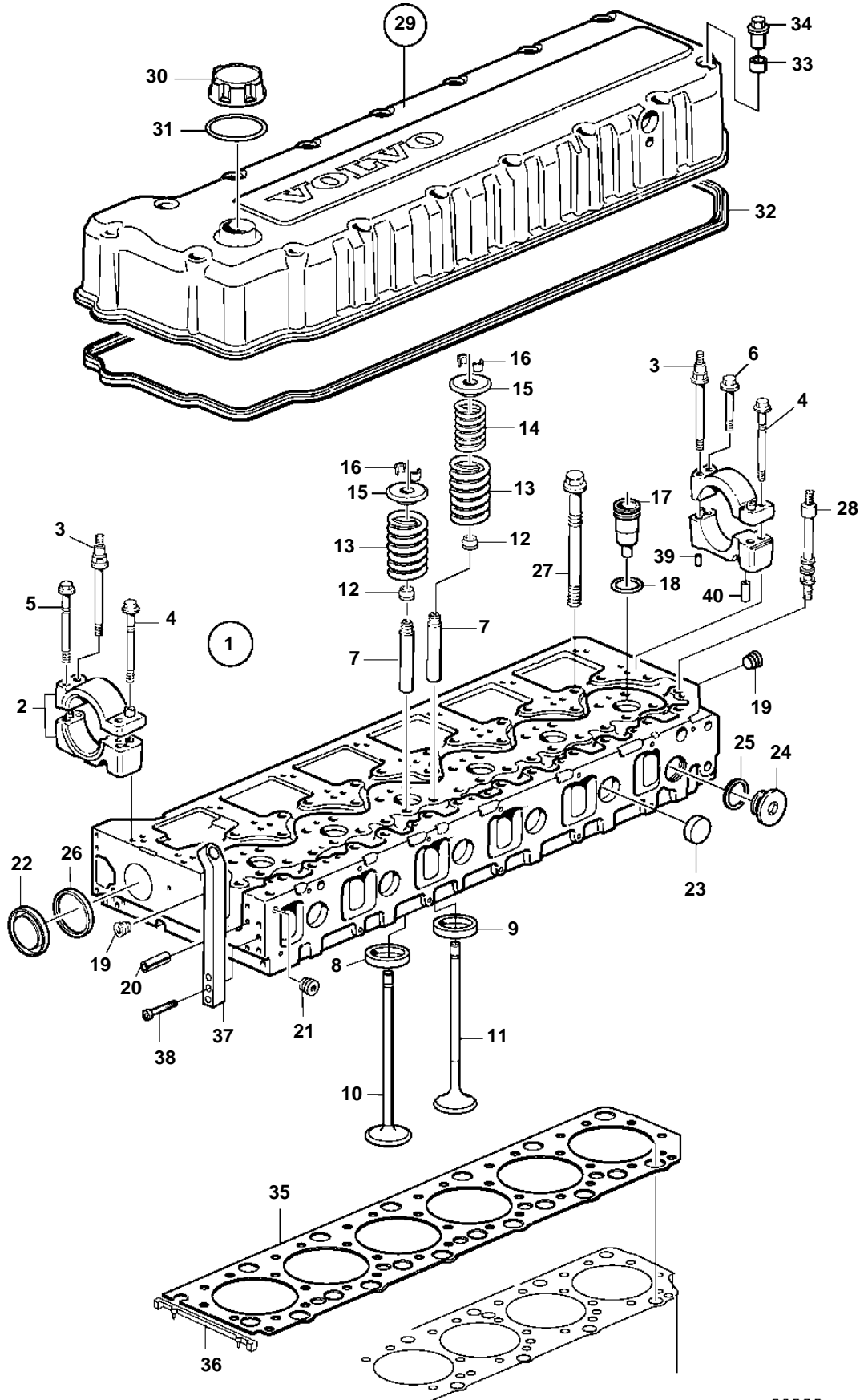


TAD1250VE, TAD1251VE, TAD1252VE



23282

TAD1250VE, TAD1251VE, TAD1252VE

REF	PART NO.	QTY	DESCRIPTION	NOTES
1	3803924	1	Cylinder head, exch	
2	3165130	1	· Bearing housing, front	Included in overhaul kit 3165309.
	3165133	5	· Bearing housing, middle	Included in overhaul kit 3165309.
	3165136	1	· Bearing housing, rear	Included in overhaul kit 3165309.
3	8170626	7	· Stud	
4	1547889	14	· Screw	L=127mm
5	1547888	1	· Screw	L=106mm
6	1677283	6	· Screw	L=70mm
7	20817648	24	· Valve guide	
8	20459329	12	· Valve seat	Inlet, STD
	20459332	12	· Valve seat	O.S=0,20mm
9	20412798	12	· Valve seat	STD, Outlet
	20430463	12	· Valve seat	O.S=0,20mm
10	20463800	12	· Inlet valve	
11	20441486	12	· Exhaust valve	
12	859171	24	· Valve stem seal	
13	3183210	24	· Valve spring	
14	3183211	12	· Valve spring	
15	1546487	24	· Valve spring washer	
16	1677875	48	· Valve collet	
17	3183368	6	· Sleeve	
18	20536487	6	· O-ring	
19	968062	2	· Plug	
20	422426	1	· Pin	
21	968060	1	· Plug	
22	8170553	1	· Plug	
23	8131707	11	· Cap plug	
24	3165025	1	· Plug	
25	949659	1	· · O-ring	
26	1544710	1	· Sealing ring	
27	1547419	38	Screw	
28	8148863	9	Stud	
29	20545669	1	Valve cover	
30	20807510	1	Oil filler cap	
31	20365079	1	· Gasket	
32	8170116	1	Sealing strip	
33	3964604	16	Bushing	
34	8148488	16	Cap nut	
35	3884170	1	Gasket kit, cylinder head	SEE GROUP 99
36	20489341	1	Sealing strip	
37		1	Lifting eye	
38	959265	3	Allen head screw	
39	950562	14	Pin	
40	1546484	14	Sleeve	