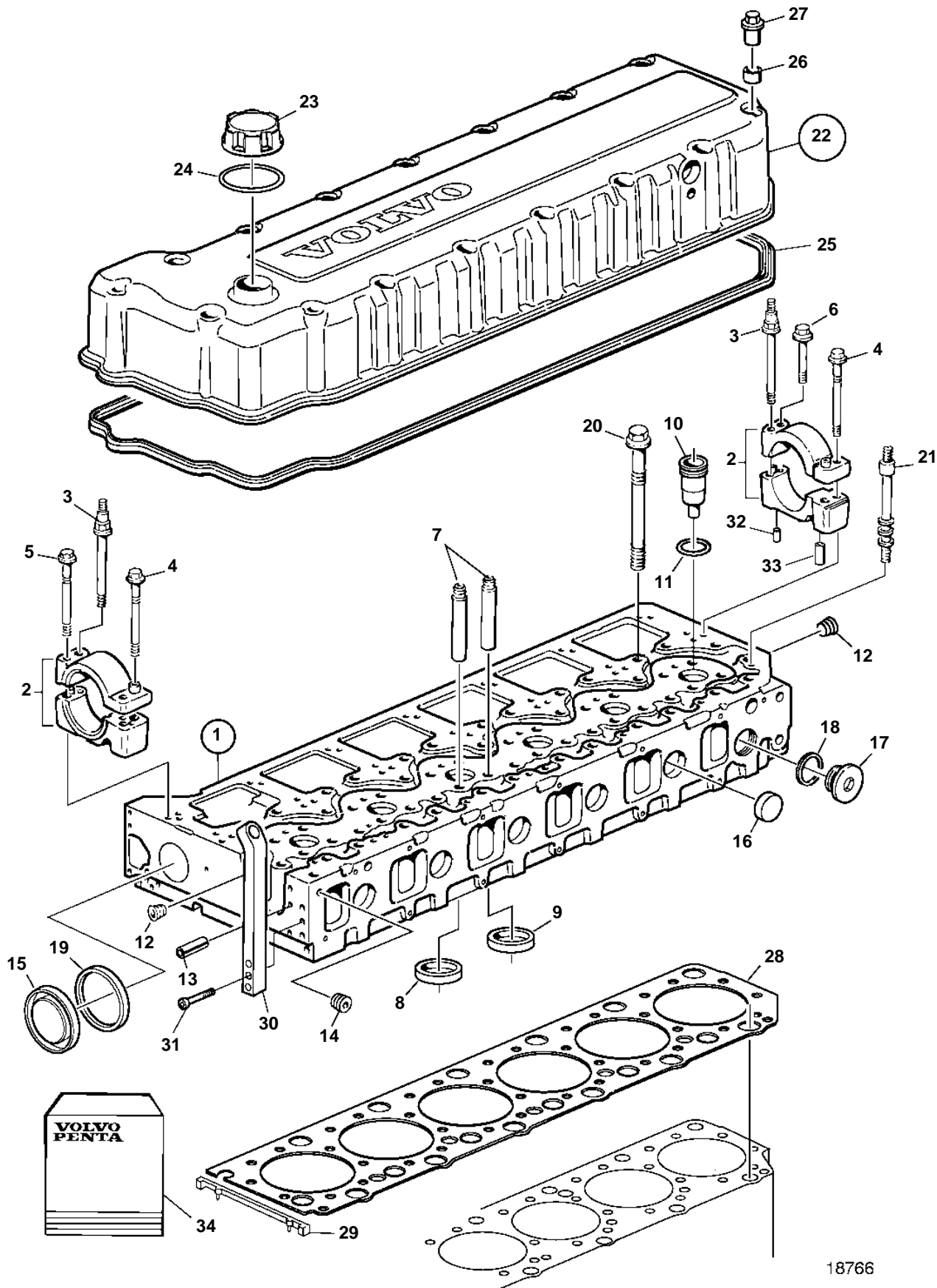


TAD1241VE, TAD1242VE



## TAD1241VE, TAD1242VE

REF	PART NO.	QTY	DESCRIPTION	NOTES
1	3586779	1	Cylinder head	E.U=3803667
	3803667	1	Cylinder head, exch, exch	E.U=3803667
2	3165130	1	· Bearing housing, front	Included in overhaul kit 3165309.
	3165133	5	· Bearing housing, middle	Included in overhaul kit 3165309.
	3165136	1	· Bearing housing, rear	Included in overhaul kit 3165309.
3	8170626	7	· Stud	
4	1547889	14	· Screw	L=127mm
5	1547888	1	· Screw	L=106mm
6	1677283	6	· Screw	L=70mm
7	3165303	24	· Valve guide	
8	20459329	12	· Valve seat	Inlet, STD
	20459332	12	· Valve seat	O.S=0,20mm
9	3169366	12	· Valve seat	STD, Outlet
	20411979	12	· Valve seat	O.S=0,20mm
10	3183368	6	· Sleeve	
11	20536487	6	· O-ring	
12	968062	2	· Plug	
13	422426	1	· Pin	
14	968060	1	· Plug	
15	8170553	1	· Plug	
16	8131707	11	· Cap plug	
17	3165025	1	· Plug	
18	949659	1	· · O-ring	
19	1544710	1	· Sealing ring	
20	1547419	38	Screw	
21	8148863	9	Stud	
22	20545669	1	Valve cover	(8170115)
23	20807510	1	· Oil filler cap	(1675839)
24	1675841	1	· · Gasket	
25	8170116	1	Sealing strip	
26	3964604	16	Bushing	
27	8148488	16	Cap nut	
28	3099100	1	Gasket kit, cylinder head	SEE GROUP 99
29	20489341	1	Sealing strip	(8170473)
30		1	Lifting eye	
31	959265	3	Allen head screw	
32	950562	14	Pin	
33	1546484	14	Sleeve	
34	3830718	1	De-carbonizing kit	SEE GROUP 99