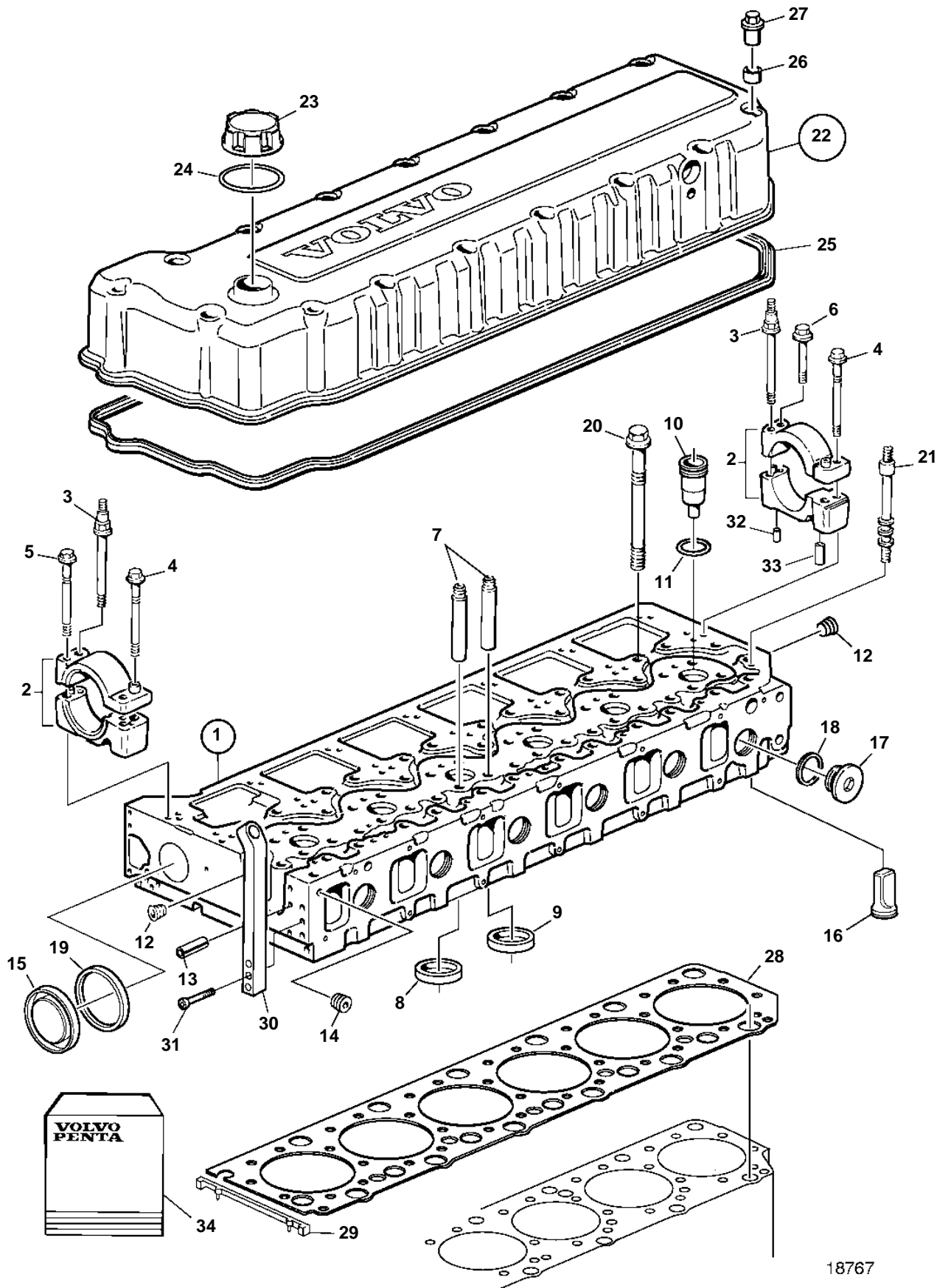


TWD1240VE



18767

TWD1240VE

REF	PART NO.	QTY	DESCRIPTION	SEE SEC.	NOTES
1	3830742	1	Cylinder head		REPL BY 3586779
	3586779	1	Cylinder head	5113	
	3803667	1	Cylinder head, exch, exch	5113	
2	3165130	1	· Bearing housing, front		Included in overhaul kit 3165309.
	3165133	5	· Bearing housing, middle		Included in overhaul kit 3165309.
	3165136	1	· Bearing housing, rear		Included in overhaul kit 3165309.
3	8170626	7	· Stud		
4	1547889	14	· Screw		L=127mm
5	1547888	1	· Screw		L=106mm
6	1677283	6	· Screw		L=70mm
7	1546437	24	· Valve guide		
8	3183227	12	· Valve seat		Inlet, STD
	3183228	12	· Valve seat		O.S=0,20mm
9	3165369	12	· Valve seat		Outlet, STD
	3165397	12	· Valve seat		O.S=0,20mm
10	3183368	6	· Sleeve		
11	20536487	6	· O-ring		(3165747)
12	968062	2	· Plug		
13	422426	1	· Pin		
14	968060	1	· Plug		
15	8170553	1	· Plug		
16	3155057	6	· Nozzle		
17	3165025	12	· Plug		
18	949659	12	· O-ring		
19	1544710	1	Sealing ring		
20	1547419	38	Screw		
21	8148863	9	Stud		
22	20545669	1	Valve cover		
23	20807510	1	· Oil filler cap		
24	1675841	1	· · Gasket		
25	8170116	1	Sealing strip		
26	3964604	16	Bushing		
27	8148488	16	Cap nut		
28	3099100	1	Gasket kit, cylinder head		
29	20489341	1	Sealing strip		(8170473)
30		1	· Lifting eye		
31	959265	3	· · Allen head screw		
32	950562	14	Pin		
33	1546484	14	Sleeve		
34	3830718	1	De-carbonizing kit		SEE GROUP 99