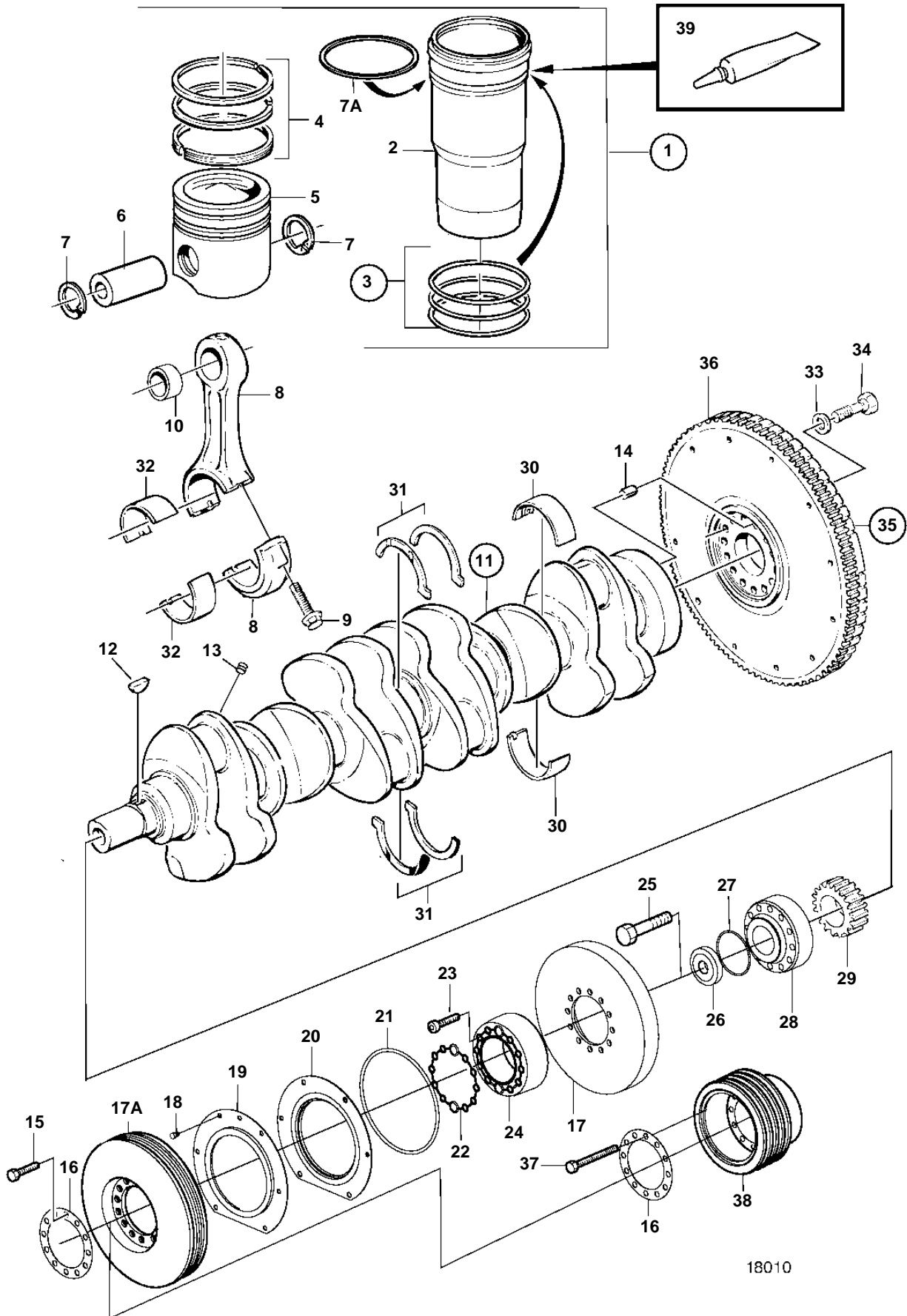


TWD1240VE



TWD1240VE

| REF | PART NO. | QTY | DESCRIPTION | NOTES |
|-----|----------|-----|------------------------|------------------------|
| 1 | 3586771 | 6 | Cylinder liner kit | |
| 2 | | 6 | · Cylinder liner | |
| 3 | 270950 | 6 | · Sealing ring kit | |
| 4 | 3840819 | 6 | · Piston ring kit | |
| 5 | | 6 | · Piston | |
| 6 | 3155115 | 6 | · Piston pin | |
| 7 | 914530 | 12 | · Lock ring | |
| 7A | 1677591 | 6 | Shim | TH=0,20mm |
| 7 | 1677592 | 6 | Shim | TH = 0,30mm |
| | 1677593 | 6 | Shim | TH = 0,50mm |
| 8 | 3835339 | 6 | Connecting rod | (3184823) |
| 9 | 1543035 | 12 | · Screw | |
| 10 | 20381185 | 6 | · Bushing | |
| 11 | 20538850 | 1 | Crankshaft | CLASSIFIABLE (3832928) |
| 12 | 422253 | 1 | · Woodruff key | |
| 13 | 978130 | 6 | · Plug | |
| 14 | 950645 | 1 | · Pin | |
| 15 | 963254 | 10 | Screw | |
| 16 | 8193962 | 1 | Washer | |
| 17 | 8193930 | 1 | Vibration damper | |
| 17A | 11127304 | 1 | Pulley | |
| 18 | 946440 | 6 | Flange screw | |
| 19 | 3827504 | 1 | Dust cover | |
| 20 | 3832863 | 1 | Sealing ring | |
| 21 | 3832906 | 1 | O-ring | |
| 22 | 3827530 | 1 | Sealing ring | |
| 23 | 974111 | 2 | Allen head screw | |
| 24 | 3826656 | 1 | Companion flange | |
| 25 | 1543316 | 1 | Screw | |
| 26 | 422124 | 1 | Washer | |
| 27 | 945512 | 1 | O-ring | |
| 28 | 1549407 | 1 | Hub | |
| 29 | 8170192 | 1 | Gear | |
| 30 | 20530916 | 7 | Main bearing kit | STD |
| | | 7 | · Bearing shell, upper | |
| | | 7 | · Bearing shell, lower | |
| | 20578624 | 7 | Main bearing kit | U.S=0.25mm |
| | | 7 | · Bearing shell, upper | |
| | | 7 | · Bearing shell, lower | |
| | 20578625 | 7 | Main bearing kit | U.S=0,50mm |
| | | 7 | · Bearing shell, upper | |
| | | 7 | · Bearing shell, lower | |
| | 20578626 | 7 | Main bearing kit | U.S=0.75mm |
| | | 7 | · Bearing shell, upper | |
| | | 7 | · Bearing shell, lower | |
| | 20578627 | 7 | Main bearing kit | U.S=1.00mm |
| | | 7 | · Bearing shell, upper | |
| | | 7 | · Bearing shell, lower | |
| 31 | 3093651 | 1 | Thrust washer kit | STD |
| | 3093652 | 1 | Thrust washer kit | O.S=00,1mm |
| | 3093653 | 1 | Thrust washer kit | O.S=0,2mm |
| 32 | 276134 | 6 | Big end bearing kit | STD |
| | 276135 | 6 | Big end bearing kit | U.S=0.25mm |
| | 276136 | 6 | Big end bearing kit | U.S=0,50mm |
| | 276137 | 6 | Big end bearing kit | U.S=0.75mm |
| | 276334 | 6 | Big end bearing kit | U.S=1.00mm |
| | 276349 | 6 | Big end bearing kit | U.S=1.25mm |
| 33 | 1543563 | 14 | Washer | |
| 34 | 1677893 | 14 | Screw | |
| 35 | 3841339 | 1 | Flywheel | (866380) |
| 36 | 20711957 | 1 | · Gear ring | |
| 37 | 970893 | 10 | Hexagon screw | |
| 38 | 3826640 | 1 | Pulley | |

TWD1240VE

| REF | PART NO. | QTY | DESCRIPTION | NOTES |
|-----|----------|-----|-------------|-------|
| 39 | 1161231 | X | Sealant | 304ml |
| | 1161277 | X | Sealant | 10g |
| | | | | |

