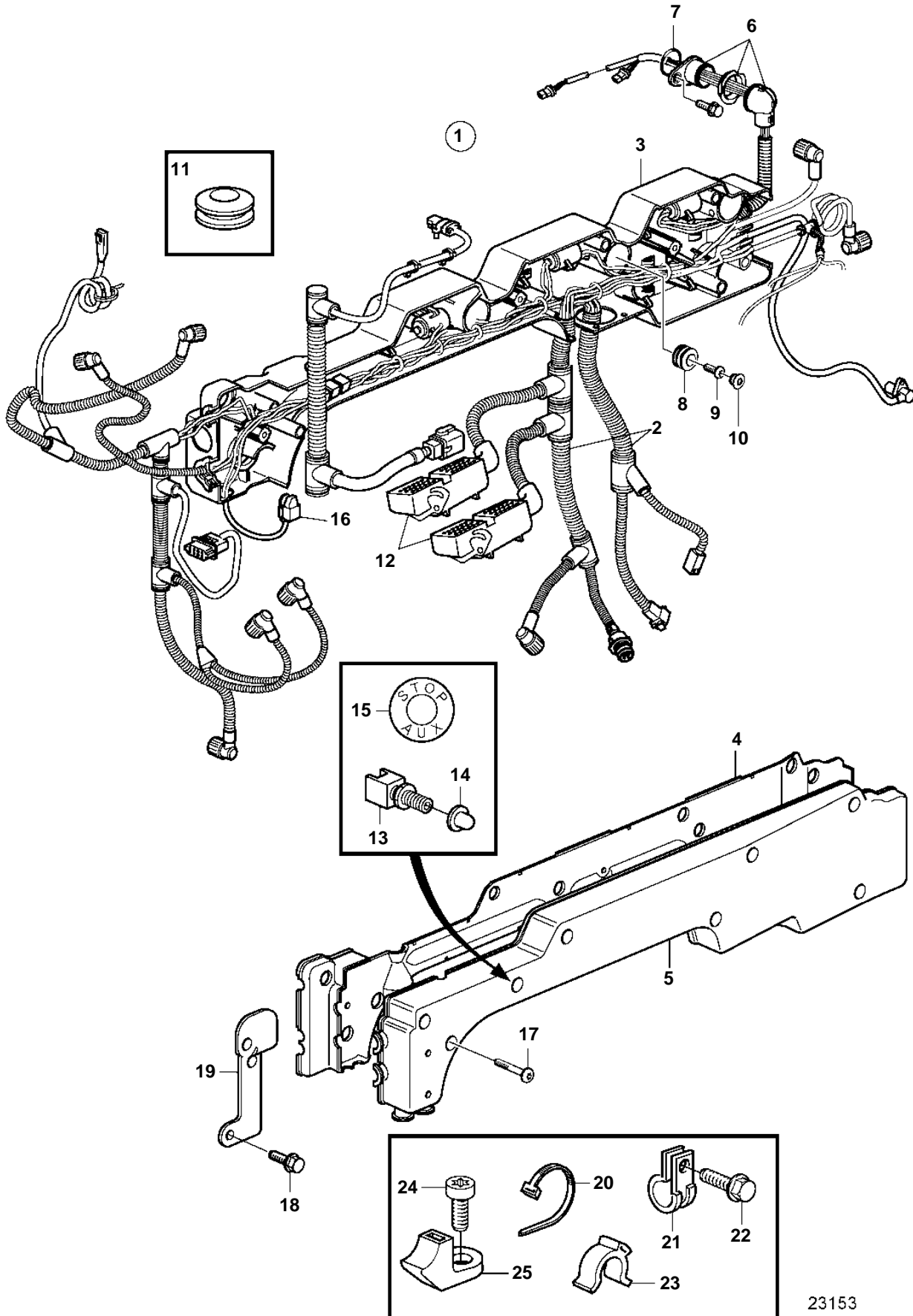


TAD1250VE, TAD1251VE, TAD1252VE



23153

TAD1250VE, TAD1251VE, TAD1252VE

REF	PART NO.	QTY	DESCRIPTION	SEE SEC.	NOTES
1	3883266	1	Wiring harness		
2		1	· Cable harness		
3	20450133	1	· Cover		
4	20450130	1	· -		
5	3836686	1	· Cover		
6		1	· Grommet	7003	
7	944126	1	· O-ring		
8	1079687	6	· Rubber cushion		
9	969598	6	· 6 point socket screw		
10	1079677	6	· Plug		
11	941269	1	· Cable grommet		I.D=25mm
	943920	1	· Protecting plug		I.D=40mm
12		2	· Switch	9759	
13	873959	1	· Breaker		
14	828586	1	· Nut		
15	3809463	1	· Decal		
16		1	· Relay	7003	
17	3985652	7	· Screw		
18	946329	1	Flange screw		M10x25mm
19	20826146	1	Bracket		
20	983472	X	Strip clamp		Oil and heat resistant
	948702	X	Strip clamp		L=95mm
	948211	X	Strip clamp		L=270mm
21	949746	X	Clamp		I.D=12,7mm
	945081	X	Clamp		I.D=22,2mm
	949997	X	Clamp		I.D=31,8mm
22	946440	X	Flange screw		
23	1578046	2	Retainer		
24	972411	2	6 point socket screw		
25	28429850	5	Retainer		