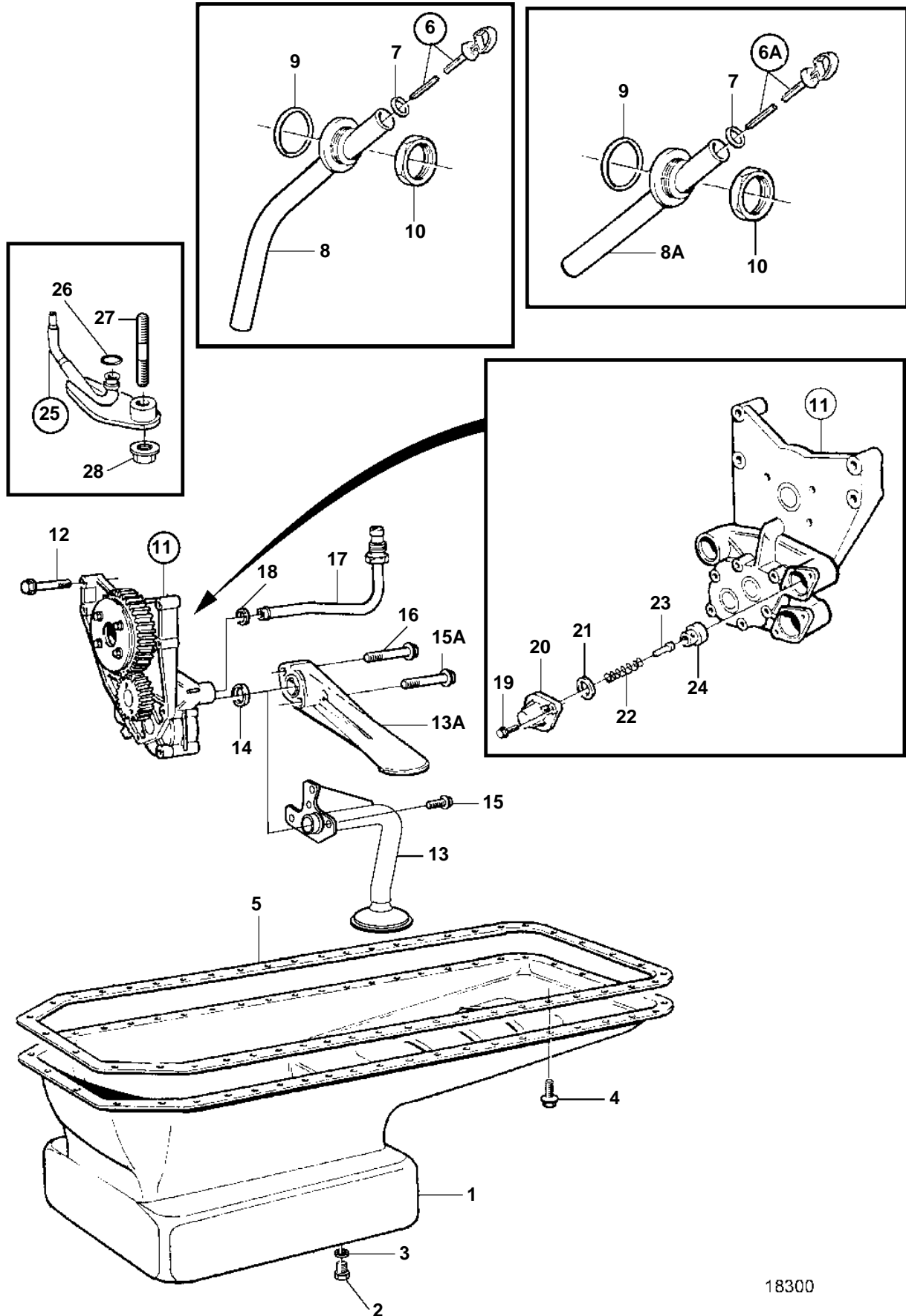


TID162AG, TID162AGP, TID162AP, TID162APB



18300

## TID162AG, TID162AGP, TID162AP, TID162APB

REF	PART NO.	QTY	DESCRIPTION	SEE SEC.	NOTES
1	848833	1	Oil pan		SN-2160023125
	3825323	1	Oil pan, temp sensor outlet	SO	SN2160023126-
2	949175	1	Magnetic plug		SN-2160023125
	949175	2	Magnetic plug		SN2160023126-
3	18813	1	Gasket		SN-2160023125
	18813	2	Gasket		SN2160023126-
4	946440	44	Flange screw		
5	3827274	1	Gasket		(864775)
6	848958	1	Oil dipstick		SN-XXXXXXXXXX/9364. Min-level 9 mm from the tip.
6A	864897	1	Oil dipstick		SNXXXXXXXXXX/9365-. Min-level 13 mm from the tip.
7	925054	1	· O-ring		
8	848956	1	Tube	SO	SN-XXXXXXXXXX/9364
8A	864896	1	Retainer		SNXXXXXXXXXX/9365-
9	468947	1	Sealing ring		
10	468948	1	Nut		
11	1543963	1	Oil pump		SN-XXXXXXXXXX/9364. When replacing the oil pump use even 1pc 1543988, 1pc 864897, 1pc 864896, 1pc 949722, 1pc 965180 and 1pc 965183. REPL BY 1556177
				4766	
	1556177	1	Oil pump		SNXXXXXXXXXX/9365- SN-2160025067 REPL BY 1556730
				404	
	1556730	1	Oil pump		SN2160025068-
				3285	
12	965186	4	Flange screw		
13	1543624	1	Tube		SN-XXXXXXXXXX/9364
13A	1543988	1	Oil pump screen		SNXXXXXXXXXX/9365-
14	1543579	1	Sealing ring		SN-XXXXXXXXXX/9364
	949722	1	O-ring		SNXXXXXXXXXX/9365-
15	946440	2	Flange screw		SN-XXXXXXXXXX/9364
15A	965183	1	Flange screw, L=90mm		SNXXXXXXXXXX/9365-
16	965180	1	Flange screw, L=60mm		SNXXXXXXXXXX/9365-
17	1556464	1	Pipe, incl nut and ferrule		
18	1543578	1	Sealing ring		
19	945444	2	Flange screw		
20	1543608	1	Cover		
21	949659	1	O-ring		
22	1543630	1	Spring		
23	1543610	1	Peg		
24	1543964	1	Valve seat		
25	1543745	6	Jet, piston cooling		SN-XXXXXXXXXX/12628
	1556430	6	Jet, piston cooling		SNXXXXXXXXXX/12629-
26	955981	6	· O-ring		
27	1543749	6	Stud, L=50mm		SN-XXXXXXXXXX/12628
	1556434	6	Stud, L=40mm		SNXXXXXXXXXX/12629-
28	948645	6	Lock nut		