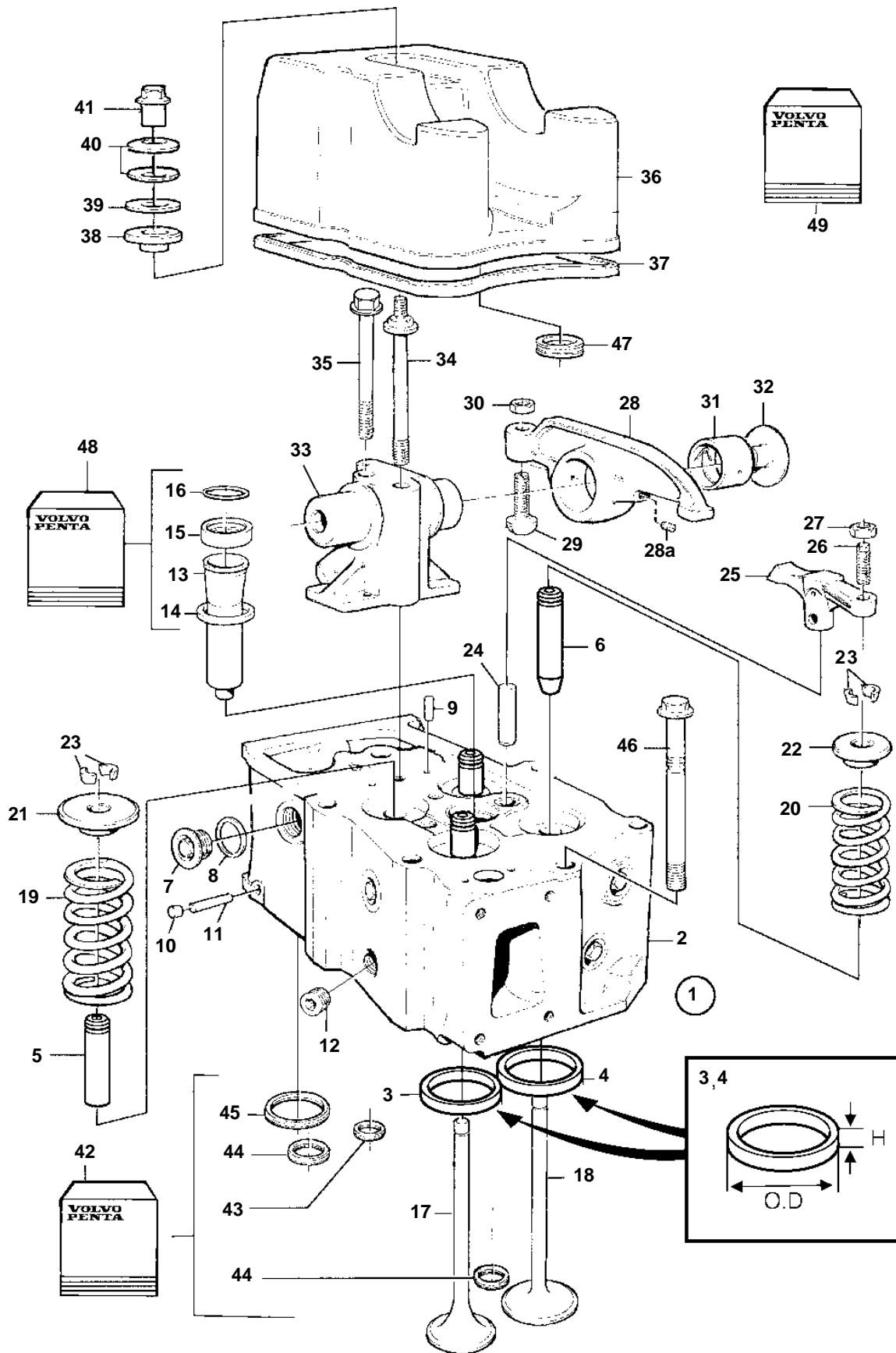


TID162AP, TID162APB



TID162AP, TID162APB

REF	PART NO.	QTY	DESCRIPTION	NOTES
1	1556590	6	Cylinder head	
	3803148	6	Cylinder head, exch	Exchange unit
2		6	· Cylinder head	
3	1543860	12	· Valve seat, exhaust	STD. O.D=48,0mm H=11,0mm
	1543972	12	· Valve seat, exhaust	O.S=0,20mm. O.D=48,2mm H=11,0mm
4	1543861	12	· Valve seat, inlet	STD. O.D=50,08mm H=6,2mm
	1543973	12	· Valve seat, inlet	O.S=0,20mm. O.D=50,28mm H=6,2mm
5		12	· Valve guideexhaust	REPL BY 20355015
	20355015	12	· Valve guide, exhaust	
6		12	· Valve guideinlet	REPL BY 20355012
	20355012	12	· Valve guide, inlet	
7	1556989	24	· Plug	
8	468463	24	· Gasket	
9	950543	12	· Pin	
10	955077	6	· Plug	
11	1543492	6	· Pin	
12	3964715	12	· Plug	
13	1543223	6	· Spray sleeve	
14	1543225	6	· Sealing ring	
15	1543606	6	· Ring	
16	1543574	6	O-ring	
17	1556896	12	Exhaust valve	
18	1556813	12	Inlet valve	
19	1543870	12	Valve spring, exhaust	
20	1543872	12	Valve spring, inlet	
21	1543866	12	Valve spring washer, exhaust	
22	1543046	12	Valve spring washer, inlet	
23	1543078	48	Valve collet	
24	1556073	12	Pin	
25	1556167	12	Yoke	
26	1543368	12	· Adjusting screw	
27	946911	12	· Nut	
28	1543441	12	Rocker arm	
28A	1543723	24	· Nozzle	
29	1543372	12	· Stud bolt	
30	946911	12	· Nut	
31	1543443	12	· Bushing	
32	1543508	12	Plug	
33	1543476	6	Bearing bracket	
34	1556078	6	Stud	
35	975105	6	Flange screw	
36	1543469	6	Valve cover	
37	1543581	6	Gasket	Included in gasket kit 876839.
38	1543582	6	Damping ring	Included in gasket kit 876839.
39	1543657	6	Washer	
40	943819	12	Disc spring	
41	1543654	6	Cap nut	
42	276924	6	Gasket kit, cylinder head	(271085)
43	1543576	6	· Sealing ring	O.D. = 22,4mm
44	1543566	12	· Sealing ring	O.D. = 32,5mm
45	1543580	12	· Sealing ring	O.D.= 54,6mm
46	1556956	36	Screw	
47	1543751	6	Sealing ring, injector-valve cover	Included in gasket kit 876838.
48	276836	6	Copper sleeve kit, fuel injector	
49	876838	1	Gasket kit, fuel injector	
	876839	1	Gasket kit, valve adjustment	Only together with 1 ea gasket kit 876838.