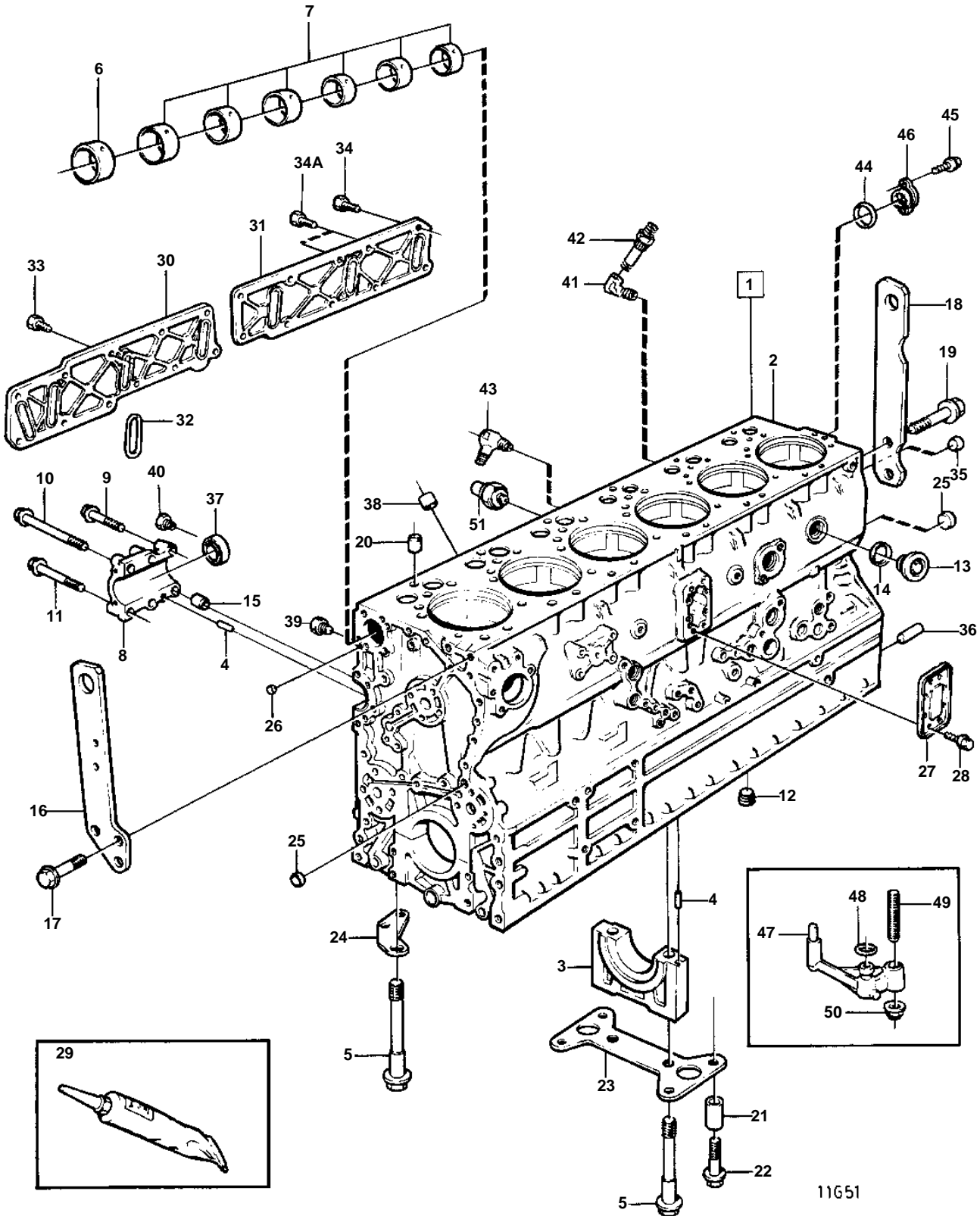


TID162AG, TID162AGP, TID162AP, TID162APB



## TID162AG, TID162AGP, TID162AP, TID162APB

REF	PART NO.	QTY	DESCRIPTION	NOTES
1	1543000	1	Cylinder block	
2		1	· Cylinder block	
3		7	· Main bearing cap	
4	422426	8	· Pin	
5	1543412	14	· Flange screw	
6	1556514	1	· Bushing	
7	1556515	6	· Bushing	
8		1	· Cap	
9	965186	4	· Flange screw	L=50mm
10	965189	1	· Flange screw	L=90mm
11	965188	1	· Screw	L=70mm
12	952079	1	· Plug	
13	467367	4	· Plug	
14	1556907	4	· Gasket	
15	1543693	1	· Guide sleeve	
16		1	Lift ironfront	
17	965191	3	Screw	
18		1	Lift ironrear	
19	968436	2	Flange screw	
20	1543693	6	Guide sleeve	
21	1543787	28	Spacer sleeve	
22	965192	28	Flange screw	
23	1556797	5	Stiffening plate	(1543590)
24	1543589	4	Stiffening plate	
25	955083	2	Cap plug	D=14,5mm
26	967853	1	Cap plug	D=10,5mm
27	1543593	1	Cover	
28	967949	8	Screw	(965175)
29	1161231	X	Sealant	304ml
30	1543486	1	Cover plate	
31	1543488	1	Cover plate	
32	469606	7	Sealing ring	(1556388)
33	945444	15	Flange screw	L=25mm
	965180	3	Flange screw	L=60mm
34	946470	1	Flange screw	L=35mm
34A	946752	2	Flange screw	L=35mm
35	946778	1	Cap plug	D=17,5mm
36	191171	2	Pin	
37	1546221	1	Sealing ring	
38	417588	1	Guide sleeve, fuel inj. pump	
39	479979	1	Plug	(191026)
40	968145	1	Plug	
41	3826916	1	Elbow nipple	(942021)
42	949918	1	Drain cock	
43	942078	1	T-nipple	
44	968971	1	O-ring	
45	946173	2	Flange screw	
46	1542242	1	Cover	
47	1543745	6	Jet, piston cooling	SN-2160012628. Replaced by 1 ea 1556430 and 1 ea 1556434.
	1556430	6	Jet, piston cooling	SN2160012629-
48	955981	6	· O-ring	
49	1543749	6	Stud, L=50mm	SN-2160012628. For 1543745.
	1556434	6	Stud, L=40mm	SN2160012629-. For 1556430.
50	948645	6	Lock nut	
51		1	Oil pressure sensor	SE GROUP 30